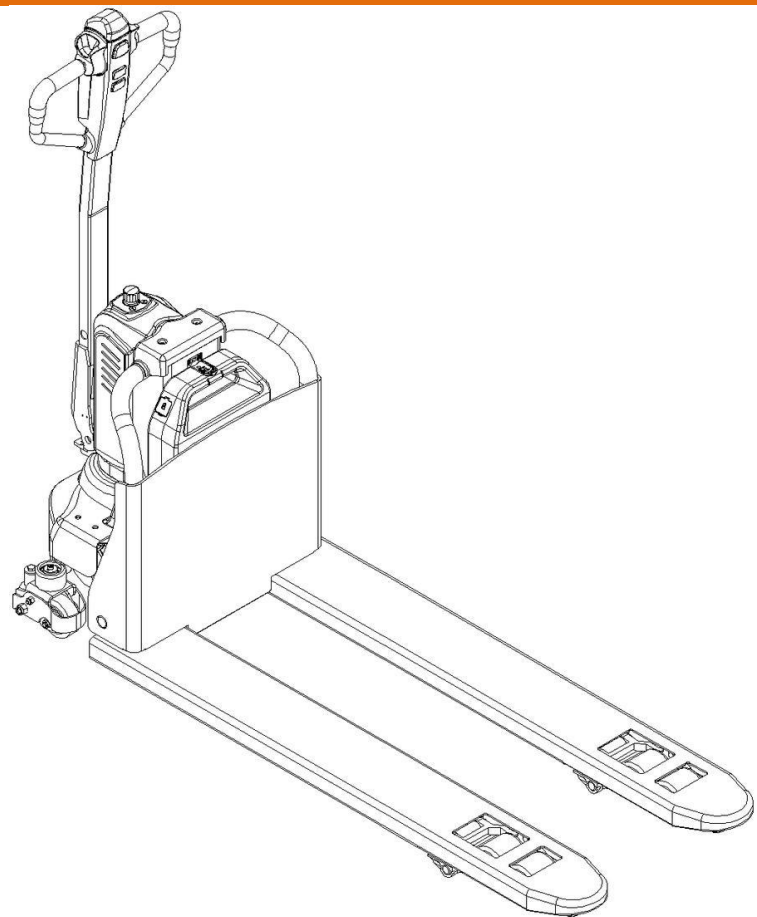


SPARE PARTS LIST

Electric Pallet Truck PTE12N



Version 3/2021

From truck identification number:

PTE12N -BPT-003-EN

Catalogue

Fig. 1 Chassis (540x1150).....	3
Fig. 2 Chassis (685x1150).....	5
Fig. 3 Load roller components	7
Fig. 4 Driving unit.....	9
Fig. 5 Driving wheel components	11
Fig. 6 Cylinder.....	12
Fig. 7 Power unit.....	13
Fig. 8 Hydraulic components	14
Fig. 9 Steering wheel components (with side rollers).....	15
Fig. 10 Steering wheel components (without side rollers).....	17
Fig. 11 Tiller head.....	18
Fig. 12 Tiller arm components	20
Fig. 13 Truck components	23
Fig.14 Power supply assembly.....	25
Fig. 15 Controller components	27
Fig. 16 Charger.....	29
Fig. 17 Wiring harness.....	31
Fig. 18 Sticker (EU).....	32
Fig. 19 Sticker (US).....	33
Easy worn parts list.....	34

Fig. 1 Chassis (540x1150)

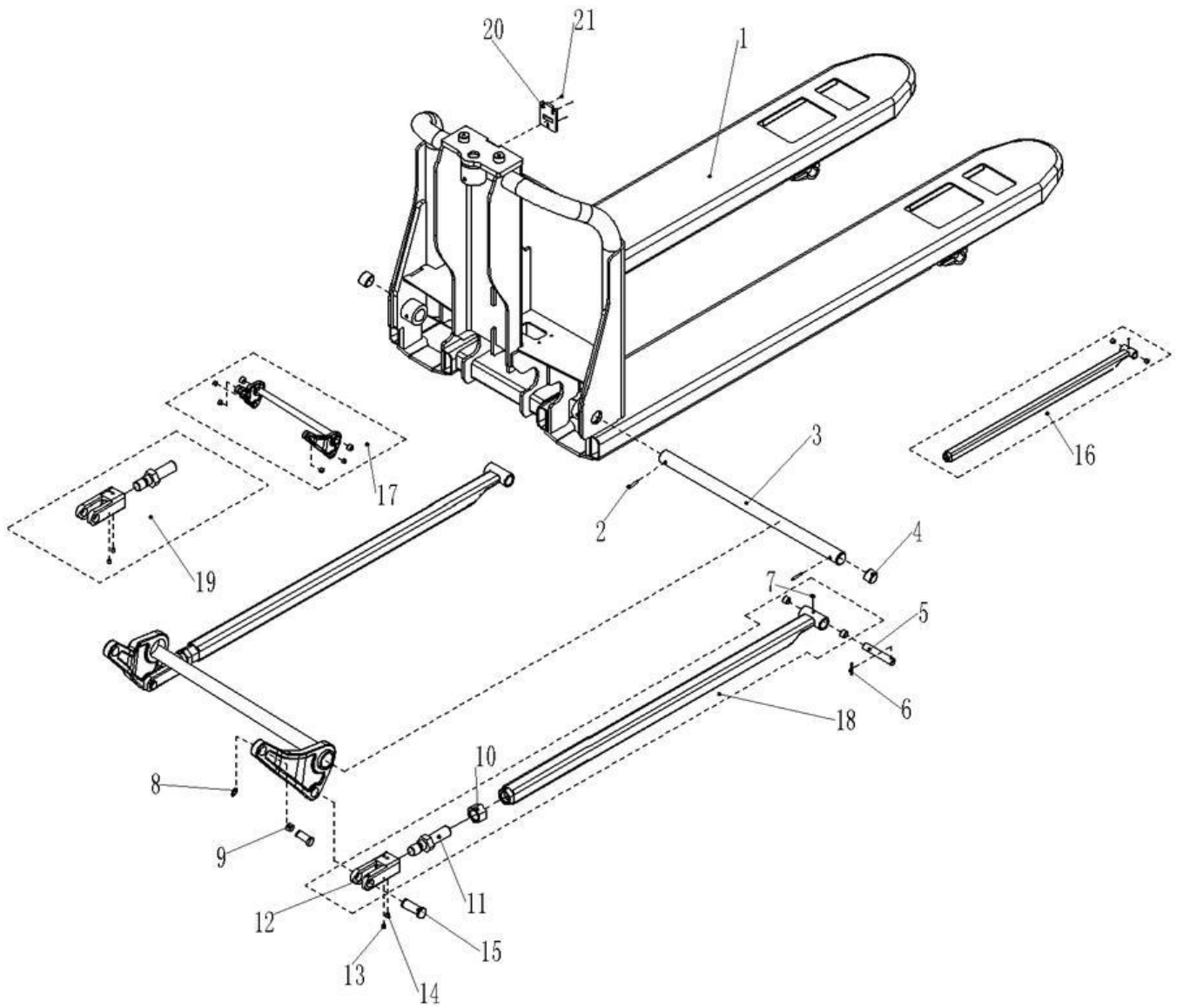


Fig. 1 Fig. 1 Chassis (540x1150)

No.	Art No.	Description	Qty.	Note
1	507938510000	Chassis welding (EU540X1150)	1	
	507938510002	Chassis welding (Single540X1150)	1	
	507938510004	Chassis welding (EU520X1150)	1	
	507938510005	Chassis welding (Single520X1150)	1	
2	910600400041	Cylindrical pin GB879.1-6x40	2	
3	507938520012	Axle Φ 24.6x498	1	
4	940500100097	Bushing Φ 24.6x Φ 29x25-SF-1(With grease storage holes)	2	
5	502338520030	Push rod Axle Φ 16x82	2	
6	910600400024	Cylindrical pin GB879.1-5x28	2	
7	911200100001	Grease nipple JB7940.4-6	2	
8	910401300007	Circlip GB894.1-16	4	
9	940500100083	Bushing Φ 16x Φ 18x15-SF-1(With grease storage holes)	8	
10	910300400008	Nut GB6173-M20x1.5-05	2	
11	508038520029	Bolt	2	
12	508038520028	Push rod fork	2	
13	910201000005	Screw GB79-M6x8-45H	2	
14	910600400015	Cylindrical pin 4x30	2	
15	508038520041	Axle Φ 16x44	4	
16	508098510000	Push rod components (1150)	2	1150
17	508098510001	Rock arm components (540)	1	
	507998510000	Rock arm components (520)	1	
18	508098510002	Push rod kits (1150)	2	1150
19	508098510004	Push rod fork components	2	
20	508038520109	Locker	1	
21	910200500034	Screw GB818-M4x8-4.8	3	

Fig. 2 Chassis (685x1150)

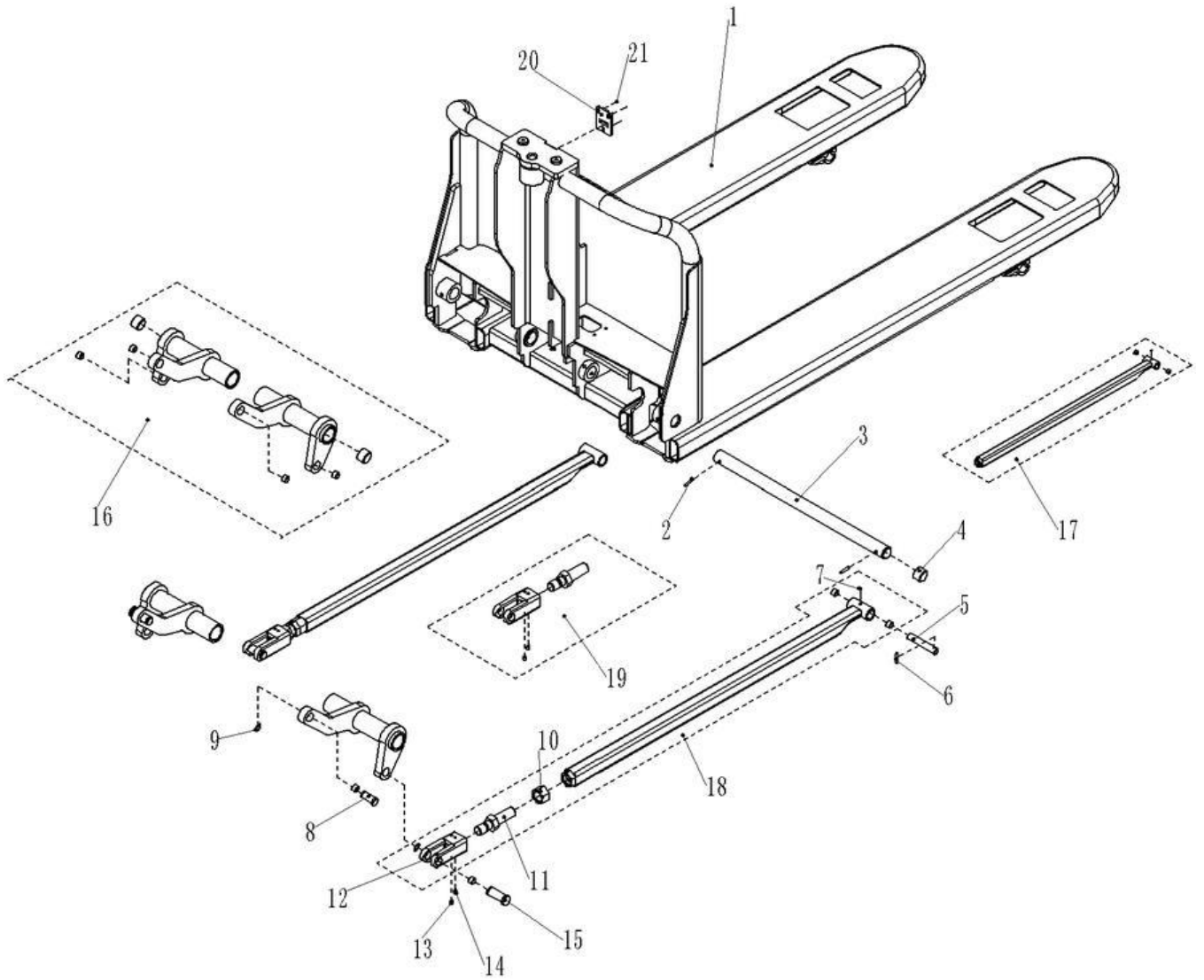


Fig. 2 Chassis (685x800/915/1000/1150/1220)

No.	Art No.	Description	Qty.	Note
1	507938510001	Chassis welding (EU685X1150)	1	
	507938510003	Chassis welding (Single685X1150)	1	
2	910600400041	Cylindrical pin GB879.1-6x40	2	
3	507938520022	Axle Φ 24.6x643	1	
4	940500100097	Bushing Φ 24.6x Φ 29x25-SF-1(With grease storage holes)	4	
5	502338520030	Push rod Axle Φ 16x82	2	
6	910600400024	Cylindrical pin GB879.1-5x28	2	
7	911200100001	Grease nipple JB7940.4-6	2	
8	940500100083	Bushing Φ 16x Φ 18x15-SF-1(With grease storage holes)	8	
9	910401300007	Circlip GB894.1-16	4	
10	910300400008	Nut GB6173-M20x1.5-05	2	
11	508038520029	Bolt	2	
12	508038520028	Push rod fork	2	
13	910201000005	Screw GB79-M6x8-45H	2	
14	910600400015	Cylindrical pin 4x30	2	
15	508038520041	Axle Φ 16x44	4	
16	508098510003	Rock arm components (685)	1	
17	508098510000	Push rod components (1150)	2	1150
18	508098510002	Push rod kits (1150)	2	1150
19	508098510004	Push rod fork components	2	
20	508038520109	Locker	1	
21	910200500034	Screw GB818-M4x8-4.8	3	

Fig. 3 Load roller components

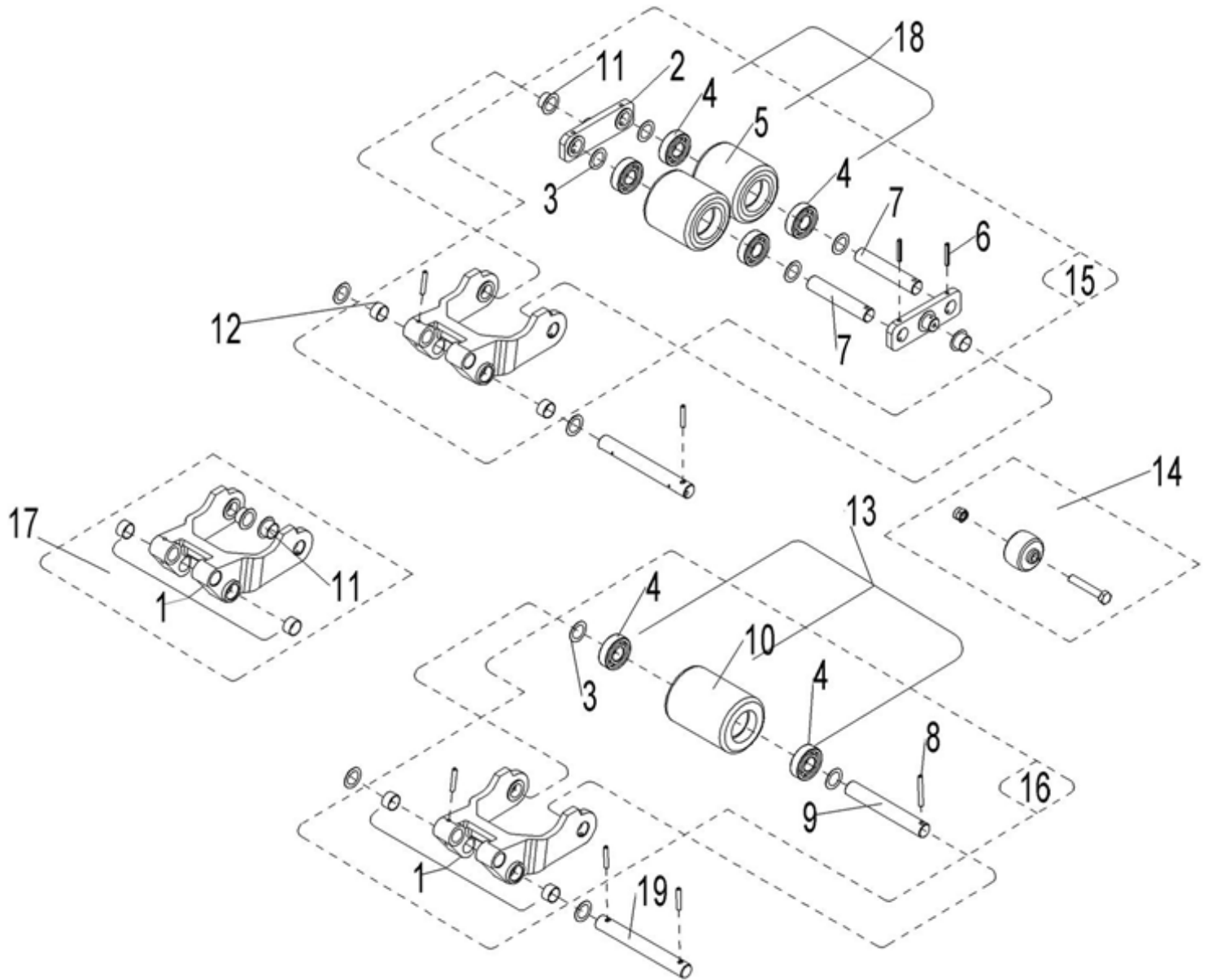


Fig. 3 Load Roller Components

No.	Art No.	Description	Qty.	Note
1	508098510048	Frame of roller components (Single)	2	
2	502317020000	Linking plate	4	Tandem
3	940600500013	Washer $\Phi 25 \times \Phi 20.5 \times 1$	8/4(Tandem/Si ngle)	
4	910700200019	Bearing GB276-6204-2RS	8/4(Tandem/Si ngle)	
5	940300300005	Roller $\Phi 80 \times 70$ (Steel core PU)	4(Tandem)	
6	910600400027	Cylindrical pin GB879.1-5x35	8(Tandem)	
7	502317020001	Wheel axle $\Phi 20 \times 94$	4(Tandem)	
8	910600400027	Cylindrical pin GB879.1-5x35	8(Tandem)	
9	301017020001	Wheel axle $\Phi 20 \times 122$	2(Single)	
10	940300300023	Roller $\Phi 80 \times 93$ (Steel core PU)	2(Single)	
11	940500200038	Bushing (With shoulder) $\Phi 18 \times \Phi 20 \times 12$ -SF-1(W ith grease storage holes)	4 (Tandem)	
12	940500100088	Bushing $\Phi 20 \times \Phi 22 \times 12$ -SF-1(With grease storage holes)	4	
13	502398510014	Wheel set kits (Single)	2	
14	502398510003	Entry roller kits	2	
15	508098510049	Roller kits (Tandem)	2	
16	508098510050	Roller kits (Single)	2	
17	508098510051	Frame of roller components (Tandem)	2	
18	502398510002	Wheel set kits (Tandem)	4	
19	508038520030	Axle $\Phi 20 \times 158$	2	

Fig. 4 Driving unit

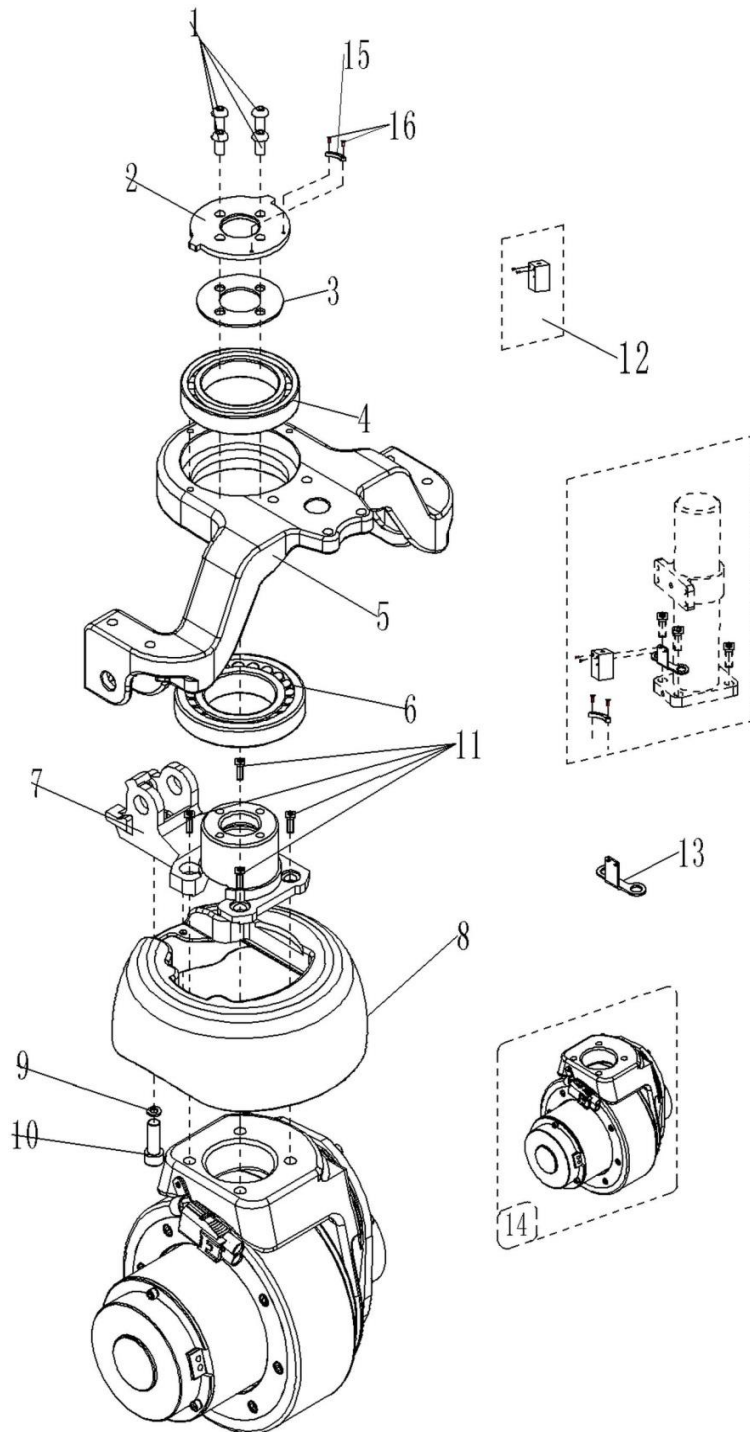


Fig. 4 Driving Unit

No.	Art No.	Description	Qty.	Note
1	910200300024	Screw GB70.2-M8x16-8.8	4	
2	508013520003	Bearing cap	1	
3	508013520004	Washer	1	
4	910700200058	Bearing GB276-6013-2RS	1	
5	508013520000	Driving wheel seat	1	
6	910700600044	Bearing GB297-32913	1	
7	508013520001	Linking flange	1	
8	508013520101	Round cover	1	
9	910400100005	Washer GB97.1-6-200HV	2	
10	910200200032	Screw GB70.1-M6x10-8.8	2	
11	910200200076	Screw GB70.1-M10x25-8.8	4	
12	508098510012	Proximity switch components	1	With speed reduction on curve
13	508033020003	Frame	1	With speed reduction on curve
14	508098510014	Driving components	1	
	508098510052	Driving components (PU)		
15	508033020002	Sensor block	1	
16	910200700001	Screw GB820-M4x10-4.8	2	

Fig. 5 Driving wheel components

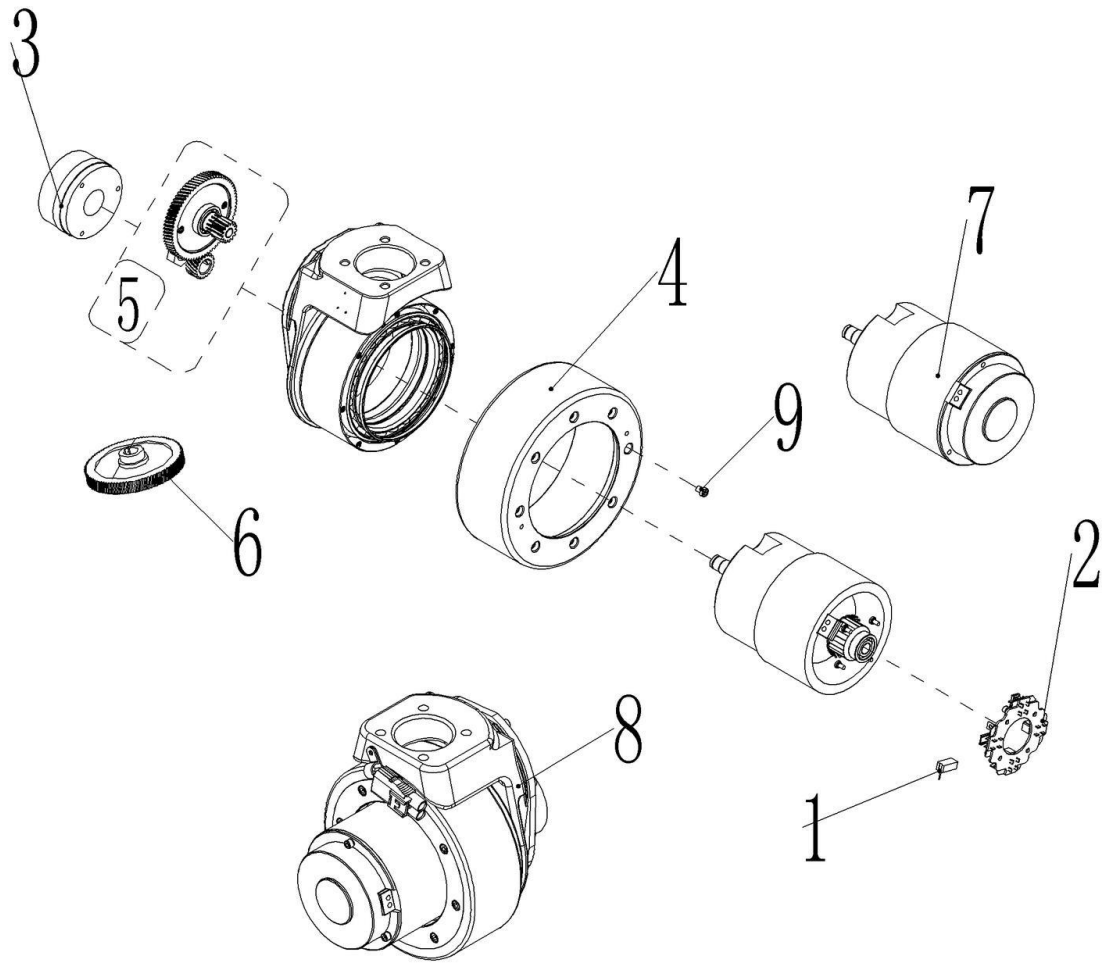


Fig. 5 Driving Wheel Components

No.	Art No.	Description	Qty.	Note
1	508098520000	Carbon brush	4	
2	508098520001	Carbon brush frame	1	
3	508098520002	Brake	1	
4	508098520003	Wheel ring	1	
	508098520026	Wheel ring (PU)		
5	508098510015	Gear wheel components	1	
6	508098520004	Gear ring	1	
7	508098510016	Motor components	1	
8	508098510014	Driving components	1	
	508098510052	Driving components (PU)		
9	910200200167	Screw with washer M6 x20-8.8	8	

Fig. 6 Cylinder

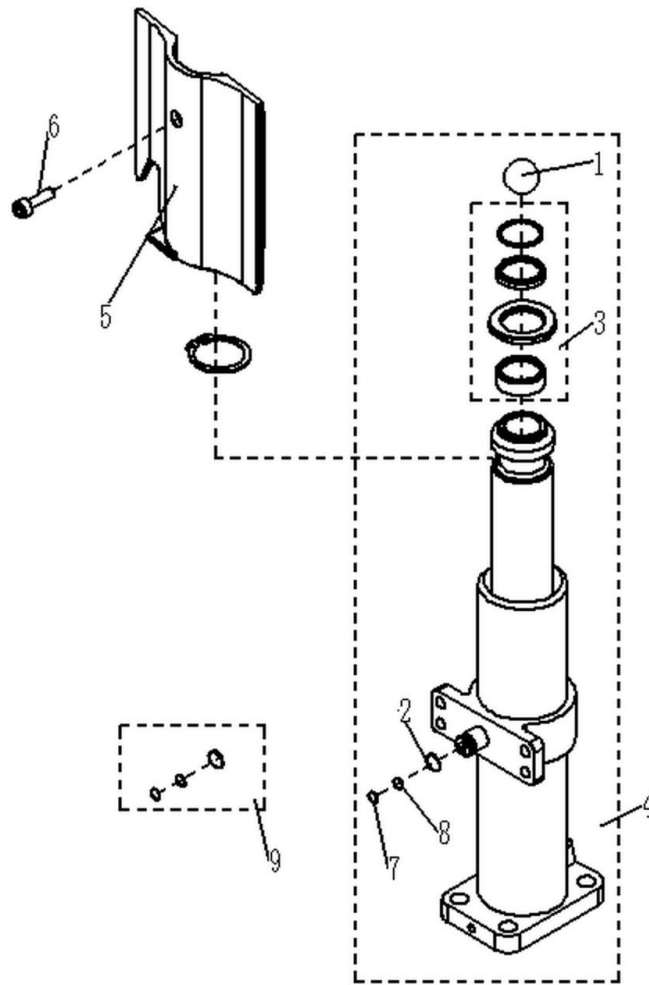


Fig. 6 Cylinder

No.	Art No.	Description	Qty.	Note
1	910701100019	Steel ball GB308-18	1	
2	910800100098	O ring	1	13.5x1.8
3	508098510018	Sealing components	1	
4	508024010003	Cylinder assembly	1	
5	508024020103	Cylinder cover	1	
6	910200200033	Screw GB70.1-M6x12-8.8	1	
7	910800800003	Circlip 12.7x9.8x1.25	1	
8	910800100001	O ring -inner 9.5x1.8	1	
9	508598510004	Sealing components	1	

Fig. 7 Power unit

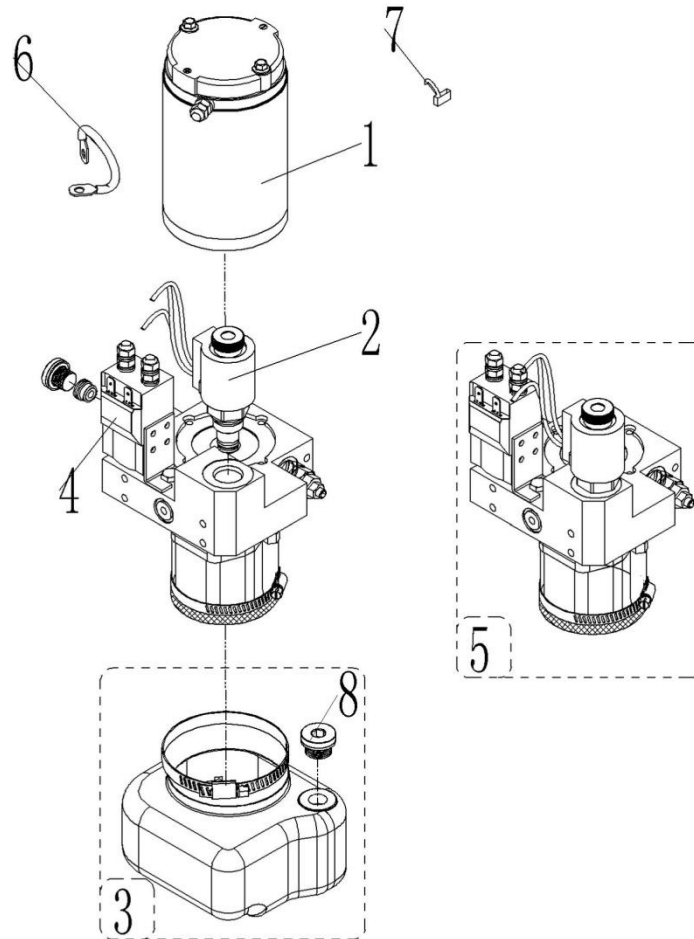


Fig. 7 Power Unit

No.	Art No.	Description	Qty.	Note
1	508098510020	DC Motor	1	MD24050
2	508098510034	Electromagnetic valve components	1	
3	508098510023	Oil tank components	1	
4	508098510021	Relay	1	ZJWP80DE
5	508098510053	Gear pump components	1	Tandem 层 Sealing
6	508098520007	Linking cable	1	RSWC-04
7	508098520008	Brush	1	
8	508598510009	Cap	1	Z3/8

Fig. 8 Hydraulic components

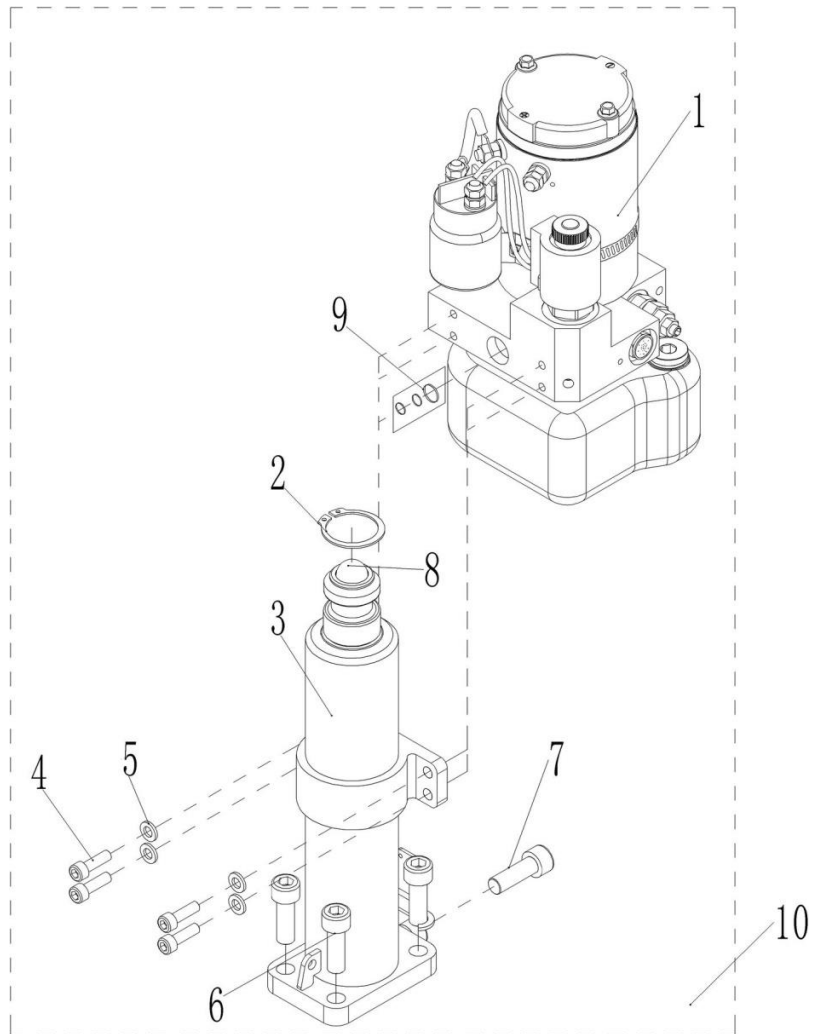


Fig. 8 Hydraulic Components

No.	Art No.	Description	Qty.	Note
1	950900100060	Hydraulic power unit 24V0.5KW0.38cc	1	
2	910401300017	Circlip GB894.1-32	1	
3	508024010003	Cylinder assembly	1	
4	910200200036	Screw GB70.1-M6x20-8.8	7	
5	910400100005	Washer GB97.1-6-200HV	7	
6	910200200077	Screw GB70.1-M10x30-8.8	4	
7	910200200160	Screw GB70.1-M6x6-12.9-c1B	1	
8	910701100019	Steel ball GB308-18	1	
9	508598510004	Sealing components	1	
10	508098510054	Hydraulic components	1	

Fig. 9 Steering wheel components (with side rollers)

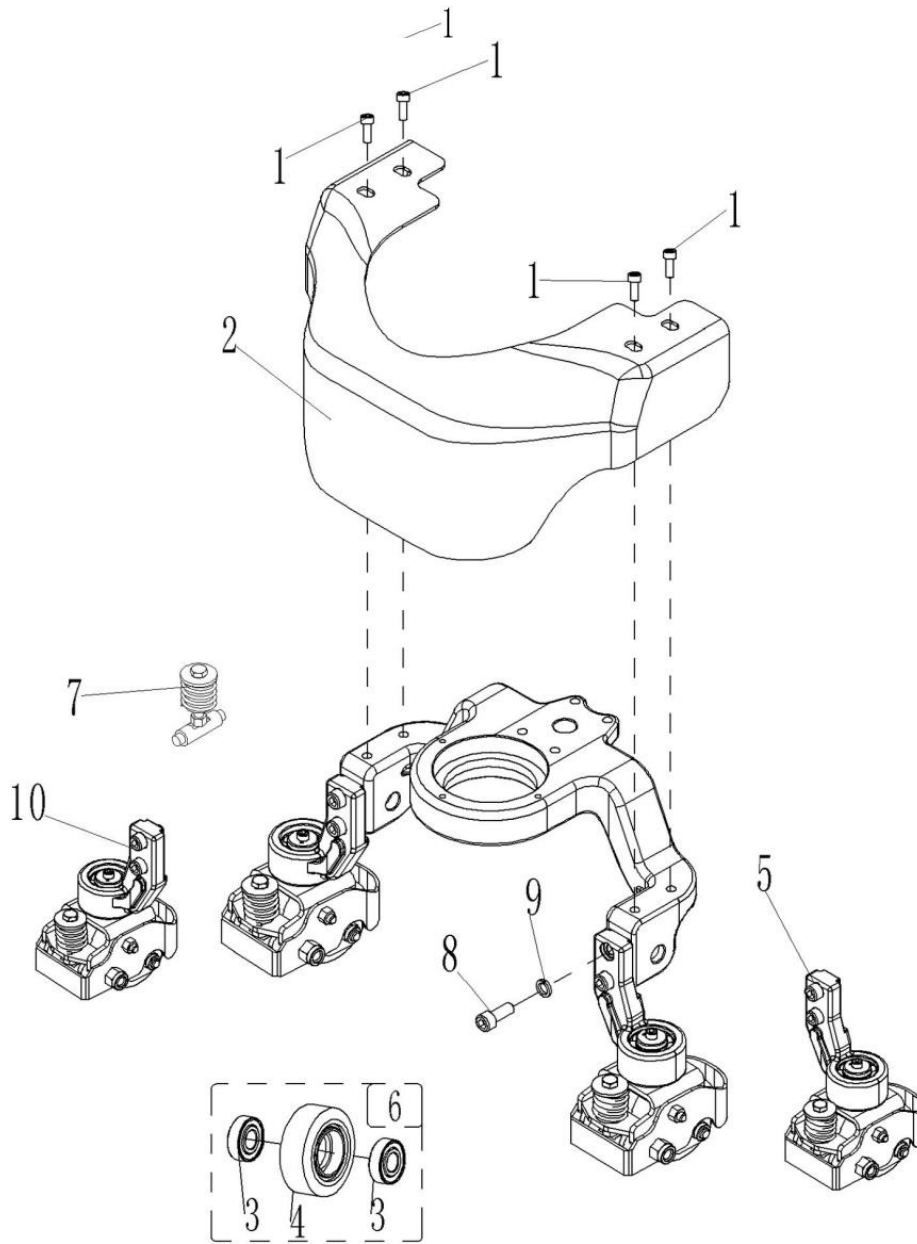


Fig. 9 Steering Wheel Components (with side rollers)

No.	Art No.	Description	Qty.	Note
1	941100100005	Screw M10x15-8.8	4	
2	508016520000	Driving cover (Side roller)	1	Ground clearance 35mm
	508016520008			Ground clearance 45mm
3	910700200018	Bearing GB276-6203-2RS	4	
4	940300300017	Roller Φ 80x30(Steel core PU)	2	
5	508016510005	Side roller components Φ 80x30(PU/Right)	1	
6	502398510015	Roller components	2	
7	508098510047	Spring components	2	
8	910200200076	Screw GB70.1-M10x25-8.8	4	
9	910400100007	Washer GB97.1-10-200HV	4	
10	508016510002	Side roller components Φ 80x30(PU/Left)	1	

Fig. 10 Steering wheel components (without side rollers)

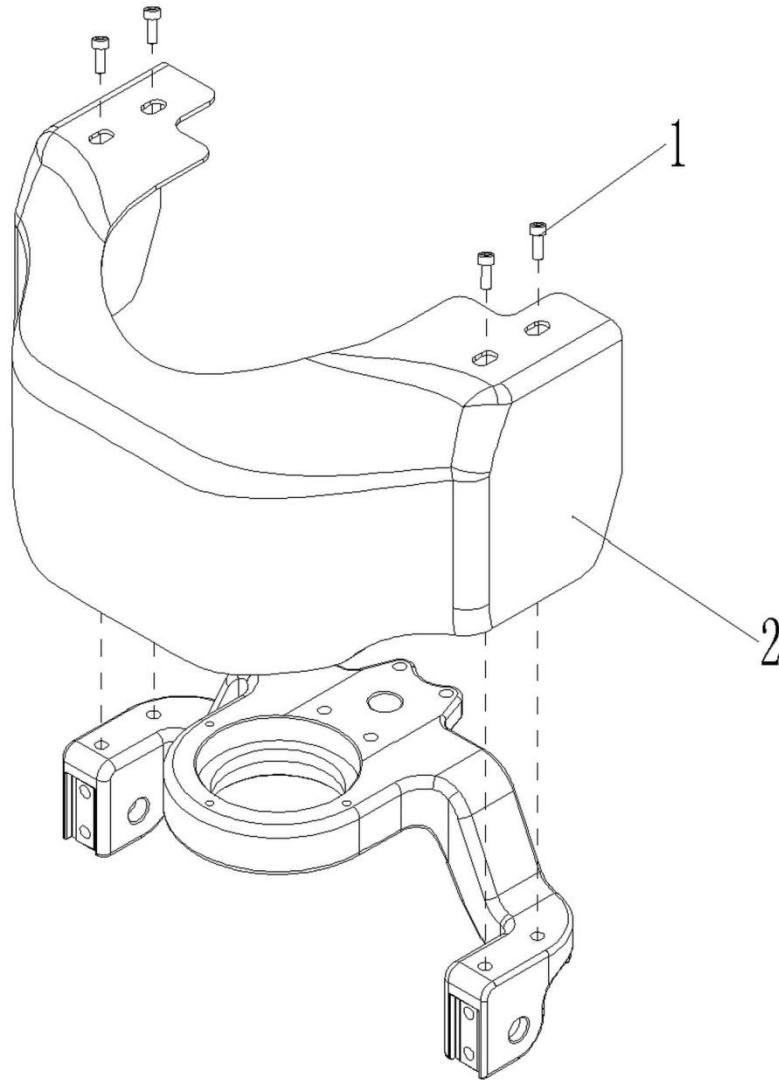


Fig. 10 Steering Wheel Components (without side rollers)

No.	Art No.	Description	Qty.	Note
1	941100100005	Screw M10x15-8.8	4	
2	508016520001	Driving cover (without side roller)	1	Ground clearance 35mm
	508016520009			Ground clearance 45mm

Fig. 11 Tiller head

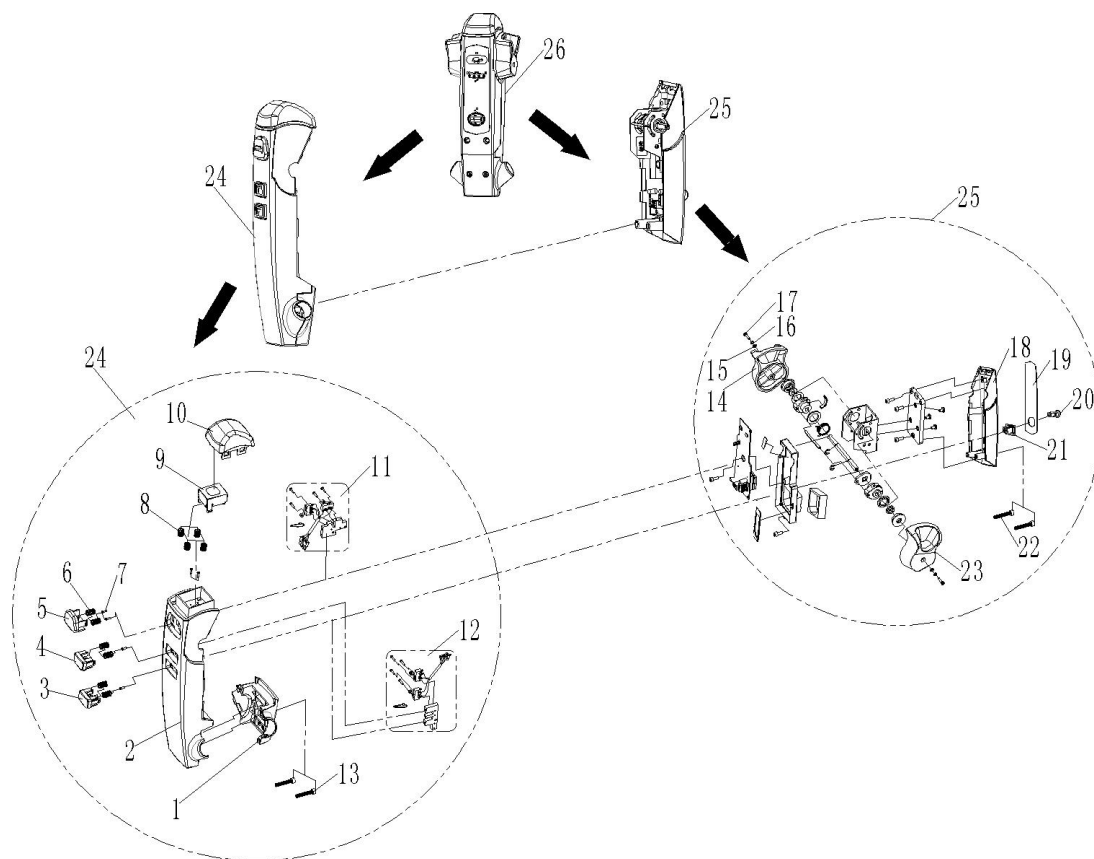


Fig. 11 Tiller Head

No.	Art No.	Description	Qty.	Note
1	508698520001	Tiller front part	1	
2	508698520002	Tiller cover	1	
3	508098520031	Lowering button	1	
4	508098520030	Lifting button	1	
5	508098520029	Horn button	1	
6	502311020022	Spring	6	Ø0.6*16mm
7	508698520003	Screw	8	ST2.2*13
8	502311020018	Spring	4	Ø0.8*11mm
9	508098520019	Belly button transition button	1	

10	508098520018	Belly button	1	
11	508698510005	Horn micro switch assembly	1	Z211
12	508698510006	Lifting micro switch assembly	1	Z212
13	910200200028	Screw GB70.1-M5x40-8.8	2	M5*40
14	508098520020	Right driving knob	1	N200
15	910400100002	Washer GB97.1-3-200HV	2	Ø3
16	910400500002	Spring Washer GB93-3	2	Ø3
17	508698520004	Bolt	2	M3*14
18	508698520005	Tiller back part	1	N200
19	508698520006	Pin-code panel sticker	1	N200
20	508698520000	Key	2	N200
21	508698520007	Key base	1	N200
22	910200200159	Screw (black) GB70.1-M5x50-8.8	2	M5*50
23	508098520014	Left driving knob	1	N200
24	507998510011	Front part assembly	1	
25	507998510012	Back part assembly	1	
26	922100100031	Tiller	1	N200(12C-7)

Fig. 12 Tiller arm components

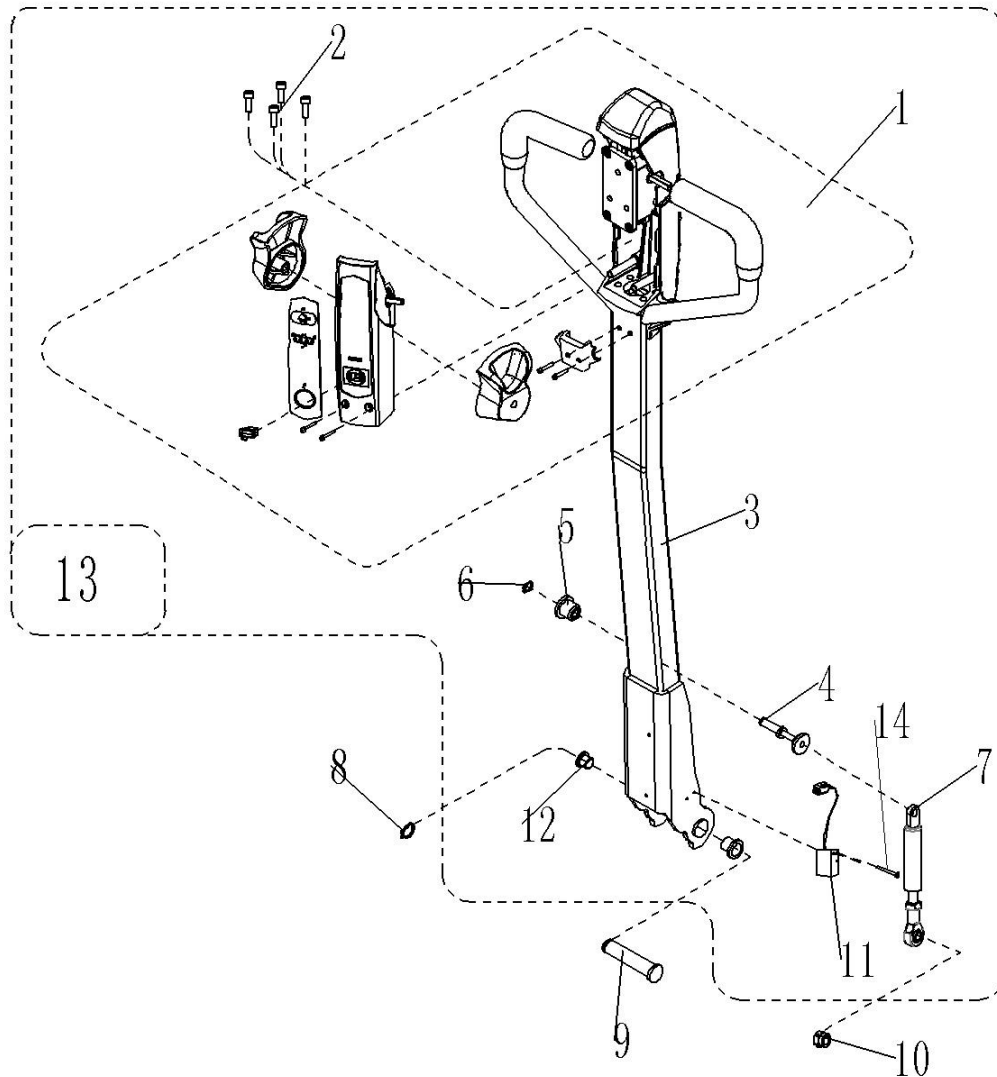


Fig. 12 Tiller Arm Components

No.	Art No.	Description	Qty.	Note
1	922100100031	Tiller N200(12C-7)	1	
2	910200200040	Screw GB70.1-M6x35-8.8	4	
3	508011010000	Tiller arm welding	1	
4	508011010002	Fixing axle welding	1	
5	508011020005	Fixing base	1	
6	910401300001	Circlip GB894.1-8	1	
7	508011010001	Air spring (D245)	1	
8	910401300006	Circlip GB894.1-15	1	
9	508011020004	Axle $\Phi 15 \times 70$	1	

10	910200200057	Screw GB70.1-M8x20-8.8	1	
11	508033010011	Proximity switch NBN5-F7-E2(710mm)	1	
	920200400027	Proximity switch NBN5-F7-E2	1	
12	940500200001	Bushing (With shoulder) Φ 15x Φ 17x9-SF-1	2	
13	507911001000	Tiller control assembly (P+F)	1	
	507911001001	Tiller control assembly (Fu Rui)		
14	910200200006	Screw GB70.1-M3x22-8.8	2	

Fig. 12 Tiller arm components

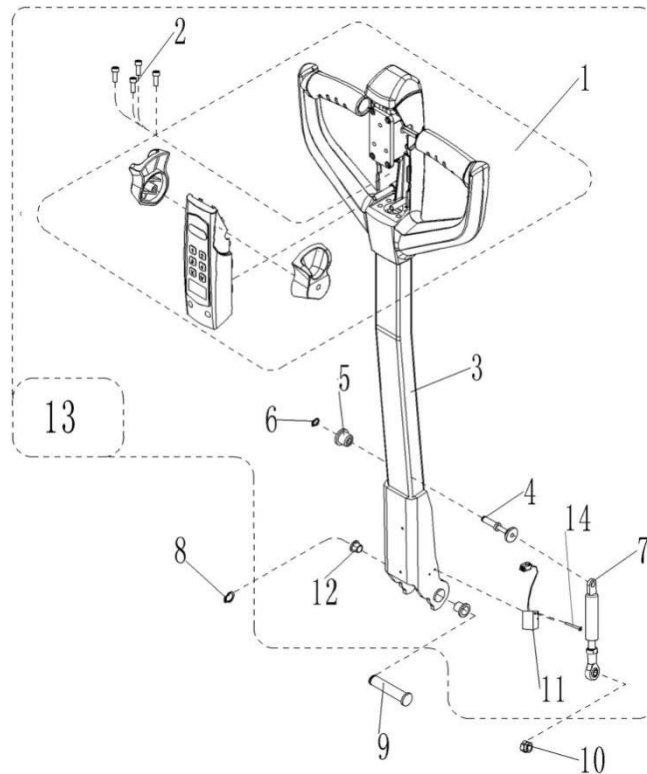


Fig. 12 Tiller Arm Components

No.	Art No.	Description	Qty.	Note
1	922100100013	Tiller N200(12C-1)	1	With credit card function
	922100100019	Tiller N200(12C-2)		
2	910200200040	Screw GB70.1-M6x35-8.8	4	
3	508011010000	Tiller arm welding	1	
4	508011010002	Fixing axle welding	1	
5	508011020005	Fixing base	1	
6	910401300001	Circlip GB894.1-8	1	
7	508011010001	Air spring (D245)	1	
8	910401300006	Circlip GB894.1-15	1	
9	508011020004	Pin $\Phi 15 \times 70$	1	
10	910200200057	Screw GB70.1-M8x20-8.8	1	
11	505633510002	Proximity switch NBN5-F7-E2(800mm)	1	
12	940500200001	Bushing (With shoulder) $\Phi 15 \times \Phi 17 \times 9$ -SF-1	2	
13	508098510035	Tiller components	1	
14	910200200006	Screw GB70.1-M3x22-8.8	2	

Fig. 13 Truck components

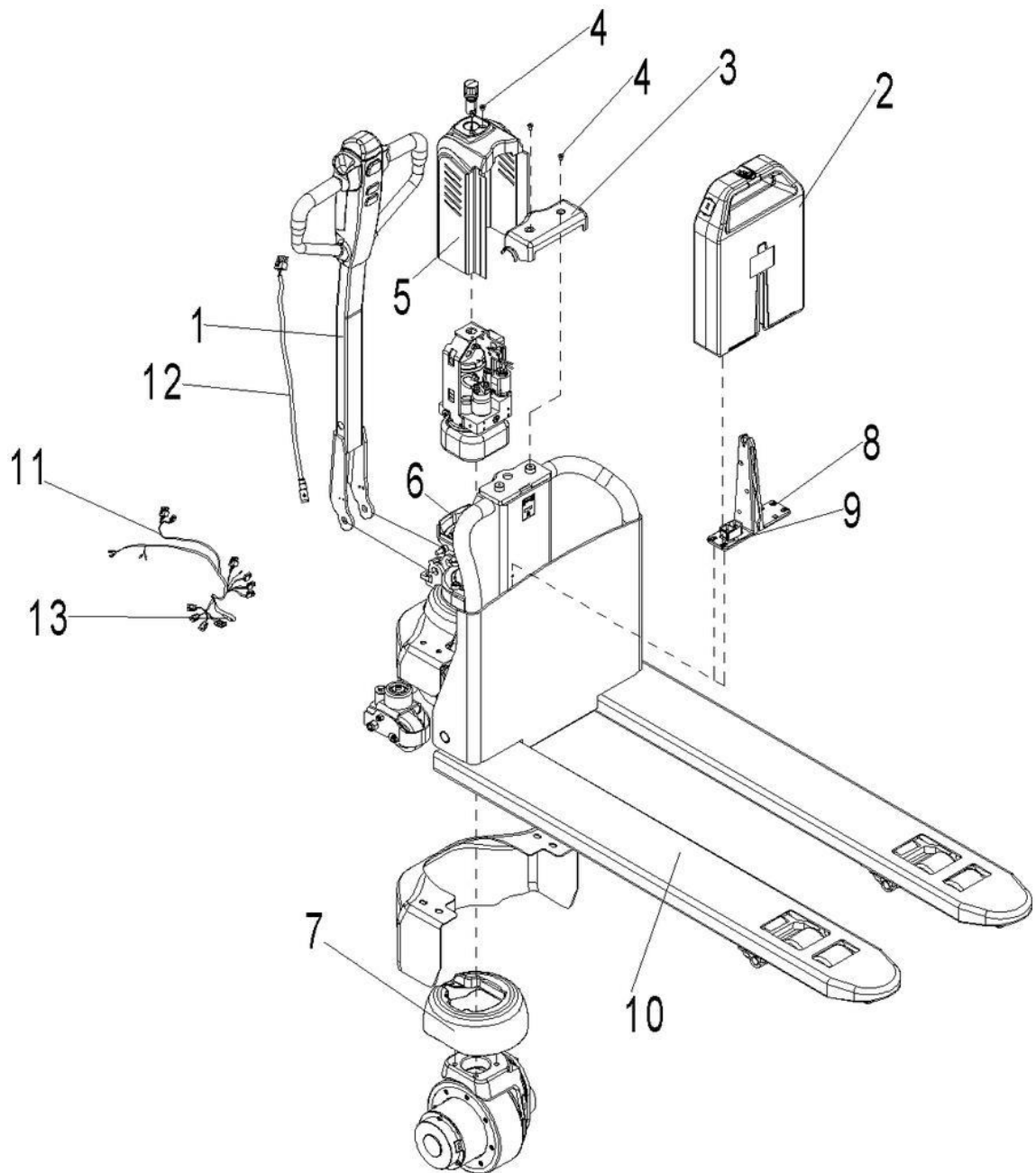


Fig. 13 Truck Components

No.	Art No.	Description	Qty.	Note
1	507998510010	Handle components	1	
	508098510035	Handle components	1	
2	508037010003	lithium battery 24V20Ah	1	20Ah
	508037010004	lithium battery 24V30Ah	1	30Ah
	508037010005	lithium battery 24V36Ah	1	36Ah
3	507938520011	Top cover	1	
4	910200400015	Screw GB70.3-M6x10-8.8	4	
5	508024020101	Motor protective cover	1	
6	508024020102	Electrical cover base	1	
7	508013520101	Round cover	1	
8	920600100045	Lithium battery base	1	
9	910200500037	Screw GB818-M5x10-4.8	4	M5x10
10	507938510000	Chassis welding (Tandem540X1150)	1	
	507938510002	Chassis welding (Single540X1150)		
	507938510001	Chassis welding (Tandem685X1150)		
	507938510003	Chassis welding (Single685X1150)		
11	508033010000	Main control wiring harness	1	
	508033010009	Main control wiring harness (with speed reduction on curve)	1	with speed reduction on curve
12	508033010001	Tiller control wiring harness	1	
13	920100200002	Fuse 10A	1	

Fig.14 Power supply assembly

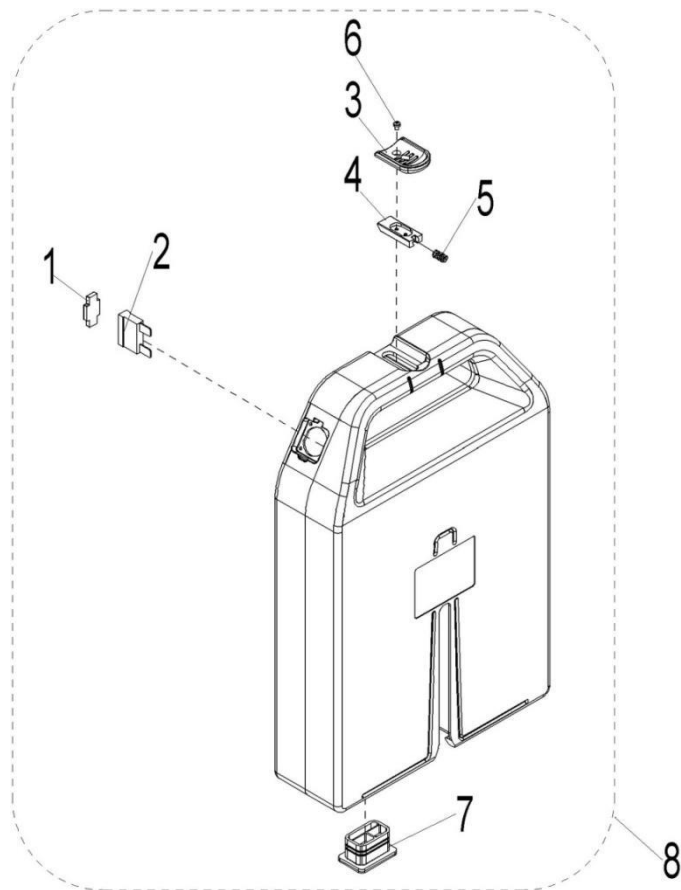


Fig. 14 Power supply assembly

No.	Art No.	Description	Qty.	Note
1	508098520021	Fuse cap	1	
2	920100200006	70AFuse	1	ATM70A DC32V
3	508098520022	Locker	1	
4	508098520023	Aluminium block	1	
5	508098520024	Spring	1	
6	910200500011	Screw	2	Screw GB818-M3x10-4.8
7	508098510069	Protection rubber cap NL-F-2+4AM	1	
8	508037010003	lithium battery 24V20Ah	1	20Ah
	508037010004	lithium battery 24V30Ah	1	30Ah
	508037010005	lithium battery 24V36Ah	1	36Ah

Fig. 15 Controller components

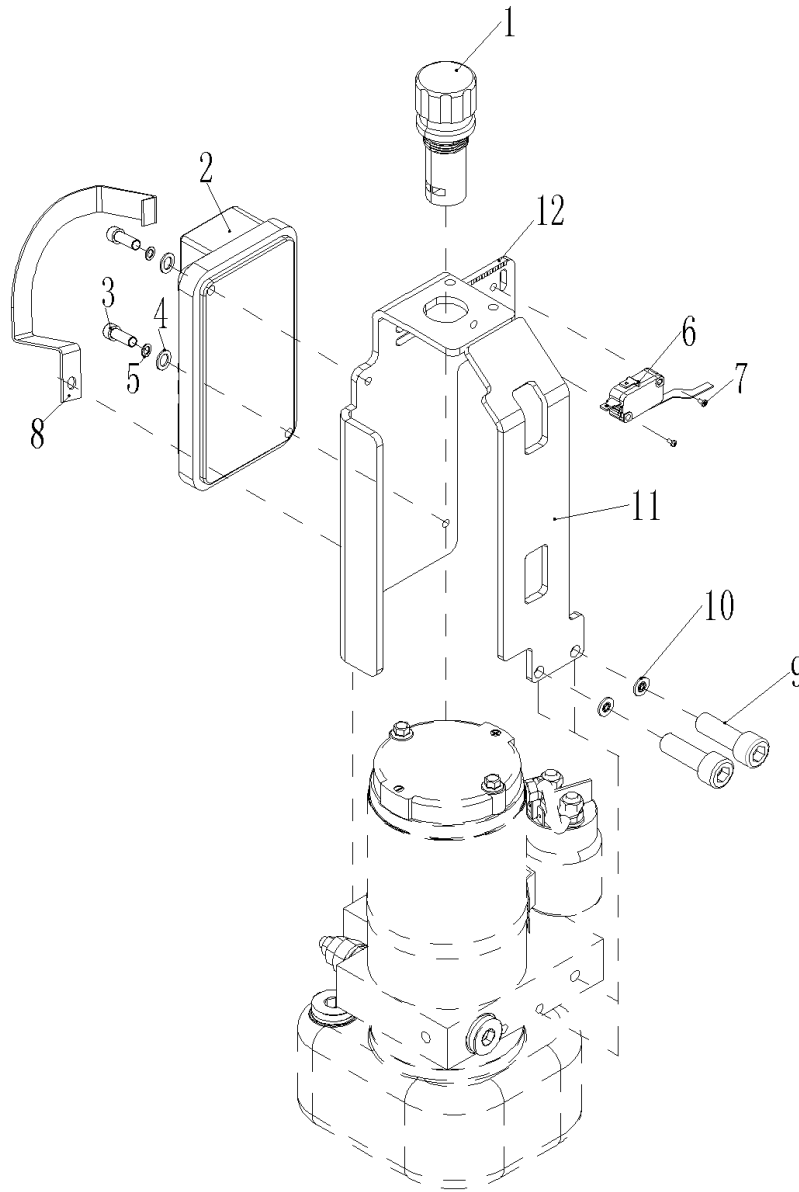


Fig. 15 Controller Components

No.	Art No.	Description	Qty.	Note
1	920200100015	Emergency button CE3T-10R-02	1	
2	921400100081	控制器 1212C-2503	1	
3	910200200025	Screw GB70.1-M5x25-8.8	2	Screw GB70.1-M5x25-8.8-c1B
4	910400100004	Washer	2	Washer

		GB97.1-5-200HV		GB97.1-5-200HV-A-c1B
5	910400500004	Spring Washer GB93-5	2	Spring Washer GB93-5-c1B
6	920200300012	Micro switch V-J163-1C25	1	
7	910200200003	Screw GB70.1-M3x12-8.8	2	Screw GB70.1-M3x12-8.8-c1B
8	508033020000	Cable fixing plate	1	
9	910200200036	Screw GB70.1-M6x20-8.8	7	Screw GB70.1-M6x20-8.8-c1B
10	910400100005	Washer GB97.1-6-200HV	7	Washer GB97.1-6-200HV-A-c1B
11	508024010002	Controller mounting frame	1	
12	921600300004	Insulating bushing	1	KG-045

Fig. 16 Charger

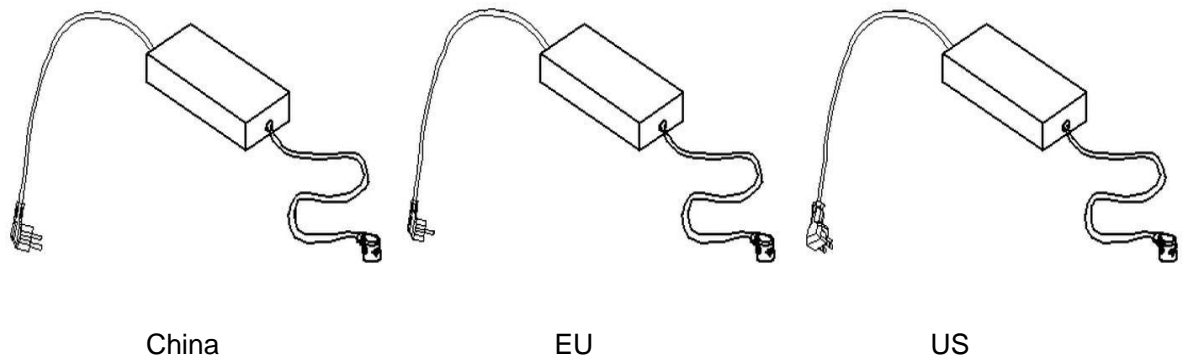


Fig. 16Charger assembly

No.	Art No.	Description	Qty.	Note
1	508036510013	Lithium charger 24V12A(Asia)	1	QQE
1	508036510014	Lithium charger 24V12A(ENG)	1	QQE
1	508036510015	Lithium charger 24V12A(US)	1	QQE
1	508036510016	Lithium charger 24V12A(EU)	1	QQE
1	508036510017	Lithium charger 24V12A(AUS)	1	QQE
1	508036510018	Lithium charger 24V12A(ITY)	1	QQE
1	508036510019	Lithium charger 24V12A(Sweden)	1	QQE
1	508036510020	Lithium charger 24V12A(Israel)	1	QQE
1	508036510021	Lithium charger 24V12A(Brazil)	1	QQE
1	508036510022	Lithium charger 24V12A(Argentina)	1	QQE
1	508036510038	Lithium charger 24V12A(South Africa)	1	QQE
1	508036510037	Lithium charger 24V12A(India)	1	QQE
2	921000200353	Lithium charger SS24V8A(Asia Chinese)	1	SS
2	921000200464	Lithium charger SS24V8A(Asia English)	1	SS
2	508036510002	Lithium charger 24V8A(ENG)	1	SS
2	508036510003	Lithium charger 24V8A(US、 JPN)	1	SS
2	508036510004	Lithium charger 24V8A(EU)	1	SS
2	508036510005	Lithium charger 24V8A(AUS)	1	SS
2	508036510006	Lithium charger 24V8A(ITY)	1	SS
2	508036510007	Lithium charger 24V8A(Sweden)	1	SS
2	508036510008	Lithium charger 24V8A(Israel)	1	SS
2	508036510009	Lithium charger 24V8A(Brazil)	1	SS
2	508036510010	Lithium charger 24V8A(Argentina)	1	SS
2	508036510032	Lithium charger 24V8A(EU)	1	JN

2	508036510033	Lithium charger 24V8A(India)	1	SS
2	508036510035	Lithium charger 24V8A(European style American line)	1	SS
2	508036510036	Lithium charger 24V8A(South Africa)	1	SS
2	508036510040	Lithium charger 24V8A(US)	1	QQE
3	921000200351	Lithium charger SS24V5A(Asia Chinese)	1	SS
3	921000200463	Lithium charger SS24V5A(Asia English)	1	SS
3	507936510001	Lithium charger 24V5A(US)	1	XT
4	921000200363	Lithium charger QE24V12A	1	QQE
5	921000200353	Lithium charger SS24V8A(Asia Chinese)	1	SS
5	921000200464	Lithium charger SS24V8A(Asia English)	1	SS
5	921000200355	Lithium charger SS24V8A	1	SS(CE)
5	921000200354	Lithium charger SS24V8A	1	SS
5	921000200427	Lithium charger ZJ24V8A(EU)	1	ZJ
5	921000200466	Lithium charger QE24V8A	1	QQE
6	921000200351	Lithium charger SS24V5A(Asia Chinese)	1	SS
6	921000200463	Lithium charger SS24V5A(Asia English)	1	SS
6	921000200418	Lithium charger SS24V5A(EU)	1	SS
7	921500200050	Double end power cord 3x0.75square(Argentina)	1	
7	921500200024	Double end power cord 3x0.75square(AUS)	1	
7	921500200049	Double end power cord 3x0.75square(Brazil)	1	
7	921500200023	Double end power cord 3x0.75square(US)	1	
7	921500200022	Double end power cord 3x0.75square(EU)	1	
7	921500200026	Double end power cord 3x0.75square(Sweden)	1	
7	921500200028	Double end power cord 3x0.75square(Israel)	1	
7	921500200025	Double end power cord 3x0.75square(ITY)	1	
7	921500200047	Double end power cord 3x0.75square(India)	1	

7	921500200027	Double end power cord 3x0.75square(ENG)	1	
7	921500200038	Straight line double 3x0.75square(South Africa)	1	

Fig. 17 Wiring harness

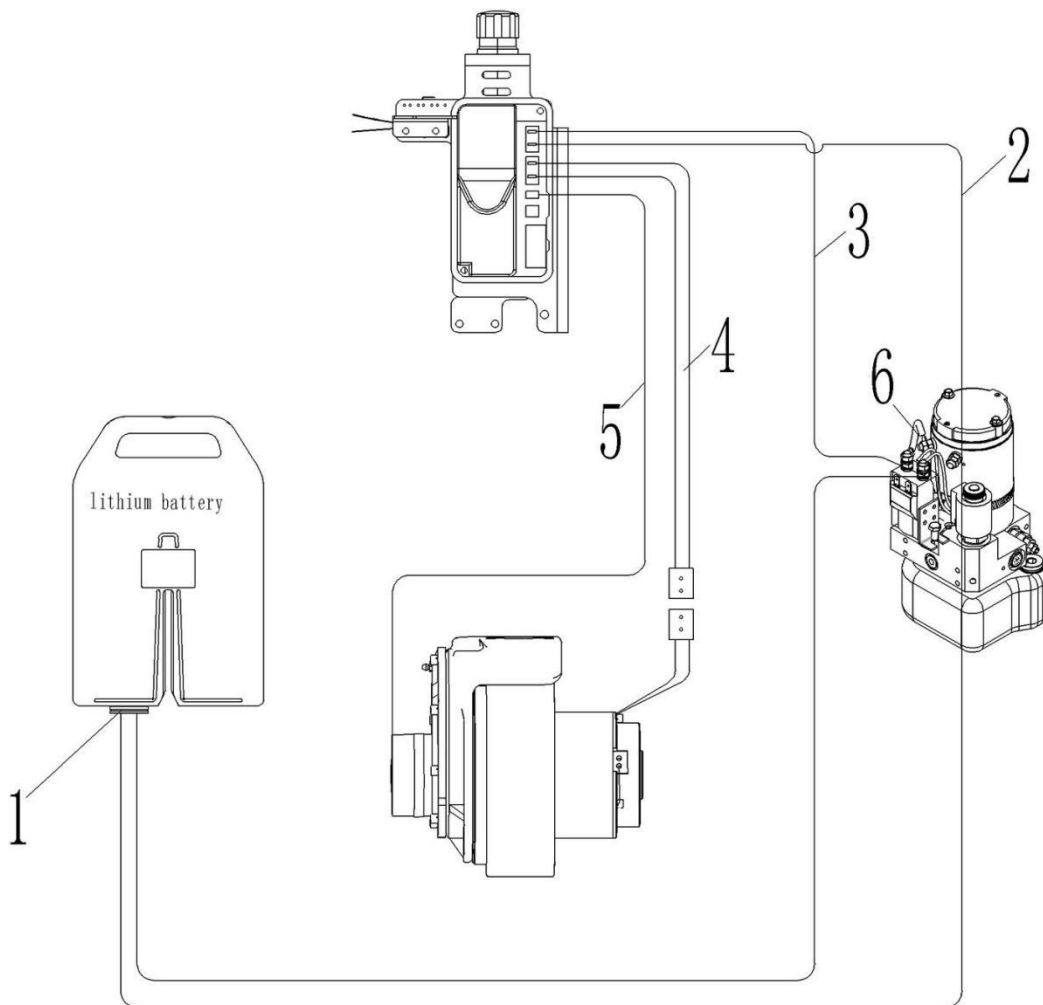


Fig. 17 Wiring Harness

No.	Art No.	Description	Qty.	Note
-----	---------	-------------	------	------

1	508033010003	Main plug wiring harness	1	
2	508033010004	Controller B+ wiring harness	1	
3	508033010005	Controller B- wiring harness	1	
4	508033010006	Motor main wiring harness	1	
5	508033010007	Controller main wiring harness	1	
6	508033010010	Pump motor B+ wiring harness	1	

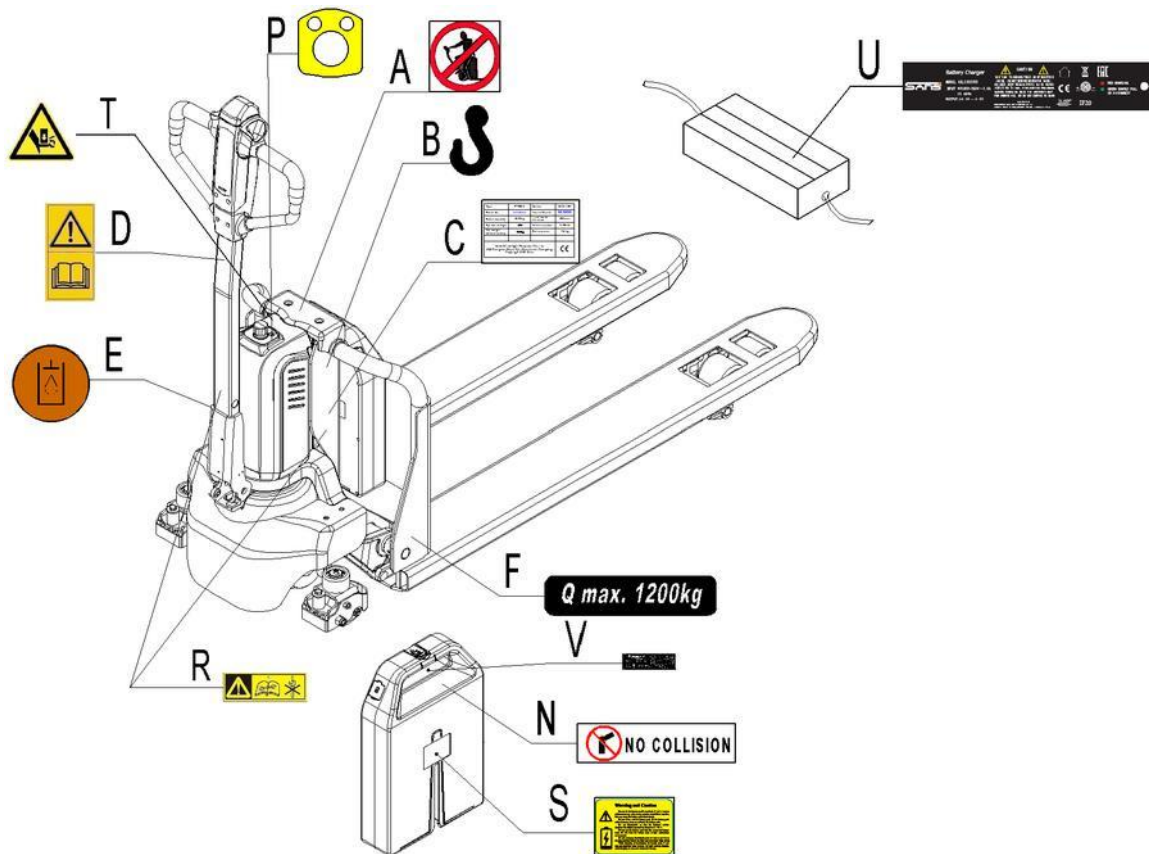


Fig. 18 Sticker (EU)

Fig. 18 Sticker (EU)

No.	Art No.	Description	Qty.	Note
A	941200100003	"No passengers" decal	1	

B	941200300001	Crane hook label	1	
C	507947520000	CE sticker	1	
D	941200300002	Sticker to read and follow these instructions	1	
E	941200300003	Filling sticker	1	
F	941200200019	Capacity sticker	2	
N	508047020002	Warning sticker	1	
P	508047020000	Emergency button sticker	1	
R	508047020004	Sticker to read and follow service manual	2	
S	508098520025	Warning sticker	1	
T	508047020007	Warning sticker	1	
U	508047520005	Warning sticker	1	
V	508047020009	Battery name plate	1	

Fig. 19 Sticker (US)

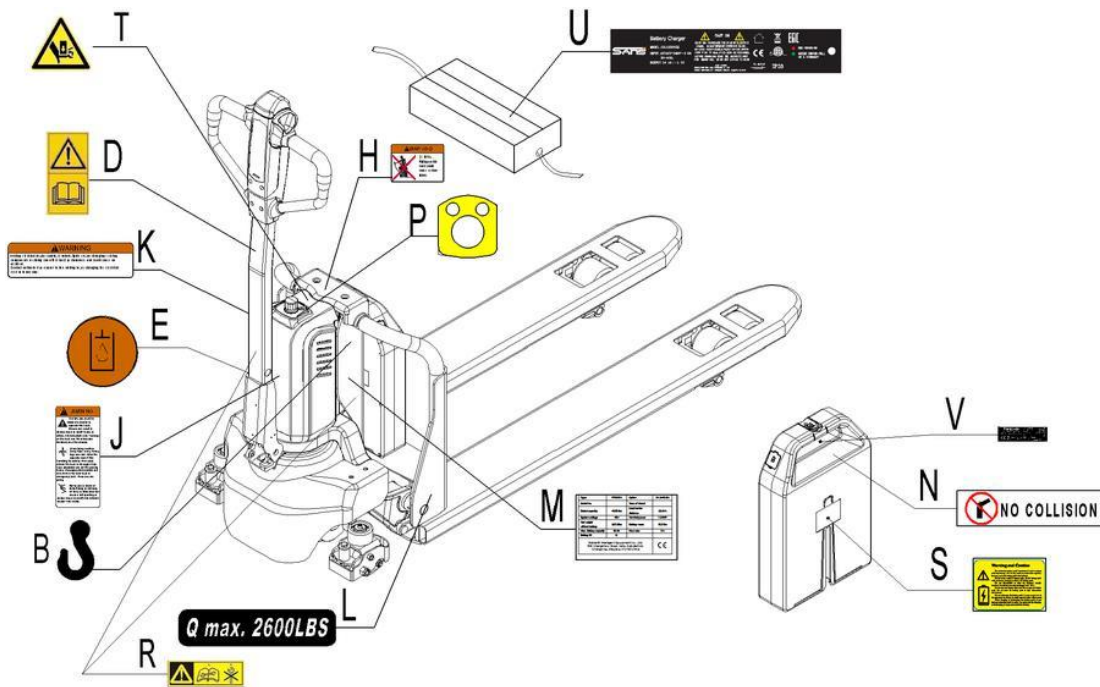


Fig. 19 Sticker (US)

No.	Art No.	Description	Qty.	Note
B	941200300001	Crane hook label	1	
D	941200300002	Sticker to read and follow these instructions	1	
E	941200300003	Filling sticker	1	

H	941200100011	"No passengers" decal	1	
J	941200100009	Warning sticker	1	
K	941200100010	Warning sticker	1	
L	941200200034	Capacity sticker	2	
M	507947520002	CE sticker	1	
N	508047020002	Warning sticker	1	
P	508047020000	Emergency button sticker	1	
R	508047020004	Sticker to read and follow service manual	2	
S	508098520025	Warning sticker	1	
T	508047020007	Warning sticker	1	
U	508047520005	Warning sticker	1	
V	508047020009	Battery name plate	1	

Easy worn parts list

No.	Art No.	Description	Qty.	Fig. /Position	Note
1	940500100097	Bushing Φ24.6xΦ29x25-SF-1(With grease storage holes)	2	Fig. 1/4	
2	940500100083	Bushing Φ16xΦ18x15-SF-1(With grease storage holes)	8	Fig. 1/9	
3	508098510000	Push rod components (1150)	2	Fig. 1/16	1150
4	508098510001	Rock arm components (540)	1	Fig. 1/17	
5	508098510002	Push rod kits (1150)	2	Fig. 1/18	1150
6	508098510004	Push rod fork components	2	Fig. 1/19	
7	940500100097	Bushing Φ24.6xΦ29x25-SF-1(With grease storage holes)	4	Fig. 2/4	
8	940500100083	Bushing Φ16xΦ18x15-SF-1(With grease storage holes)	8	Fig. 2/8	
9	508098510003	Rock arm components (685)	1	Fig. 2/16	
10	508098510000	Push rod components (1150)	2	Fig. 2/17	1150

11	508098510002	Push rod kits (1150)	2	Fig. 2/18	1150
12	508098510004	Push rod fork components	2	Fig. 2/19	
13	910700200019	Bearing GB276-6204-2RS	8/4(Tandem/ Single)	Fig. 3/4	
14	940300300005	Roller Φ 80x70 (Steel core PU)	4(Tandem)	Fig. 3/5	
15	940300300023	Roller Φ 80x93 (Steel core PU)	2(Single)	Fig. 3/10	
16	940500200038	Bushing (With shoulder) Φ 18x Φ 20x12-SF-1 (With grease storage holes)	4 (Tandem)	Fig. 3/11	
17	940500100088	Bushing Φ 20x Φ 22x12-SF-1 (With grease storage holes)	4	Fig. 3/12	
18	502398510014	Wheel set kits (Single)	2	Fig. 3/13	
19	502398510003	Entry roller kits	2	Fig. 3/14	
20	508098510049	Roller kits (Tandem)	2	Fig. 3/15	
21	508098510050	Roller kits (Single)	2	Fig. 3/16	
22	508098510051	Frame of roller components (Tandem)	2	Fig. 3/17	
23	502398510002	Wheel set kits (Tandem)	4	Fig. 3/18	
24	910700200058	Bearing GB276-6013-2RS	1	Fig. 4/4	
25	910700600044	Bearing GB297-32913	1	Fig. 4/6	
26	910800100098	O ring	1	Fig. 6/2	13.5x1.8
27	910800800003	Circlip 12.7x9.8x1.25	1	Fig. 6/7	
28	910800100001	O ring -inner 9.5x1.8	1	Fig. 6/8	
29	508598510004	Sealing components	1	Fig. 6/9	
30	508598510004	Sealing components	1	Fig. 8/9	
31	508098510054	Hydraulic components	1	Fig. 8/10	
32	910700200018	Bearing GB276-6203-2RS	2	Fig. 9/3	
33	940300300017	Roller Φ 80x30 (Steel core PU)	1	Fig. 9/4	
34	508016510005	Side roller components Φ 80x30(PU/Right)	1	Fig. 9/5	
35	502398510015	Roller components	1	Fig. 9/6	

36	508098510047	Spring components	1	Fig. 9/7	
37	508016510002	Side roller components Φ80x30(PU/Left)	1	Fig. 9/10	
38	940500200001	Bushing (With shoulder)Φ15xΦ17x9-SF-1	2	Fig. 12/12	
39	920100200002	Fuse 10A	1	Fig. 13/13	
40	920100200006	70AFuse	1	Fig. 14/2	