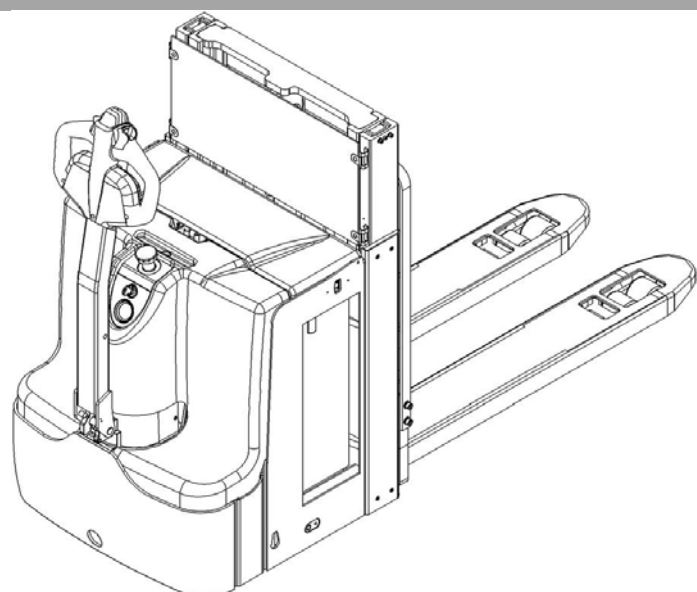
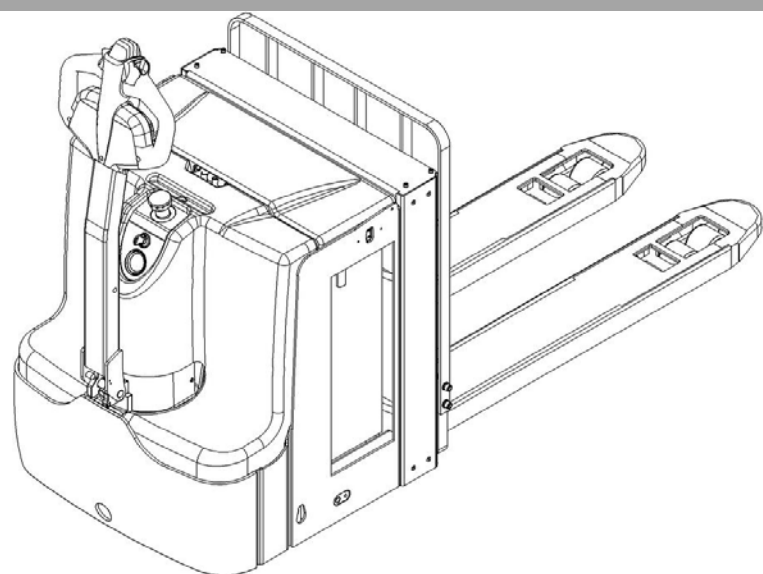


## SPARE PARTS LIST

### Electric Pallet Truck PT 20/D(210Ah)

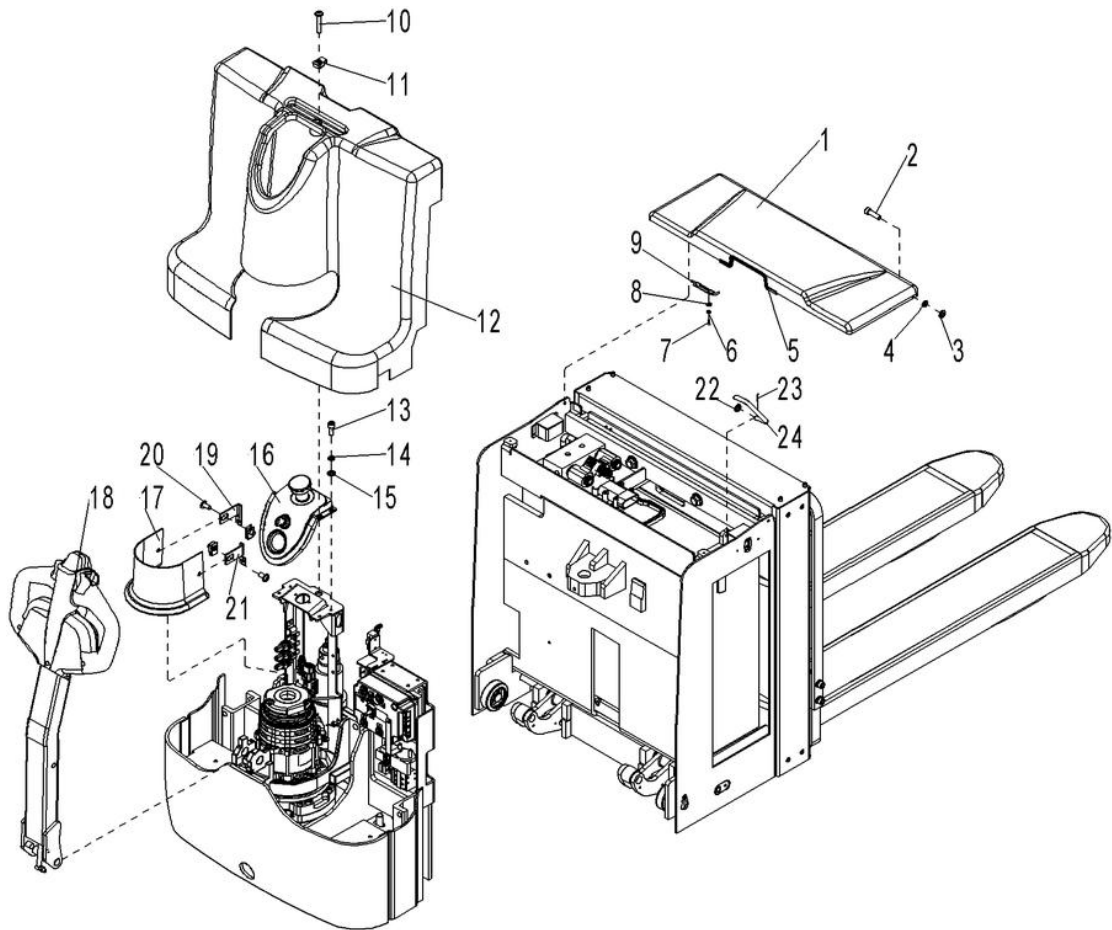


## Catalogue

Fig.1 Appearance .....	3
Fig.2 Chassis.....	5
Fig.3 Load roller assembly .....	7
Fig.4 Mast assembly PT20I .....	9
Fig.5 Mast assembly PT20D (1600/2000) .....	11
Fig.6 Mast assembly PT20D (2500) .....	14
Fig.7 Pallet frame assembly PT20I.....	16
Fig.8 Pallet frame assembly PT20D (1600/2000) .....	18
Fig.9 Pallet frame assembly PT20D (2500) .....	19
Fig.10 Load roller assembly.....	20
Fig.11 Truck body assembly.....	22
Fig.12 Battery components.....	24
Fig.13 Drive wheel assembly.....	26
Fig.14 Steering wheel assembly.....	28
Fig.15 Tiller assembly.....	30
Fig.16 Canbus tiller.....	32
Fig.17 PT 20I Hydraulic assembly .....	34
Fig.18 PT 20D Hydraulic assembly .....	38
Fig.19 Cylinder assembly (front).....	40
Fig.20 PT 20I Cylinder assembly (rear).....	42
Fig.21 PT 20D Cylinder assembly (rear1600/2000).....	44
Fig.22 PT 20D Cylinder assembly (rear2500).....	46
Fig.23 Pump 2.2KW .....	48
Fig.24 PT 20I Electrical assembly .....	50
Fig.25 PT 20D Electrical assembly (1600/2000) .....	54
Fig.26 PT 20D Electrical assembly (2500) .....	58
Fig.27 Electronic control components.....	62
Fig.28 Main wiring harness.....	64
Fig.29 PT 20I stickers (EU).....	66

Fig.30 PT 20I stickers (US).....	68
Fig.31 PT 20D stickers (EU).....	70
Fig.32 PT 20D stickers (US).....	71
Easy Worn Parts.....	72

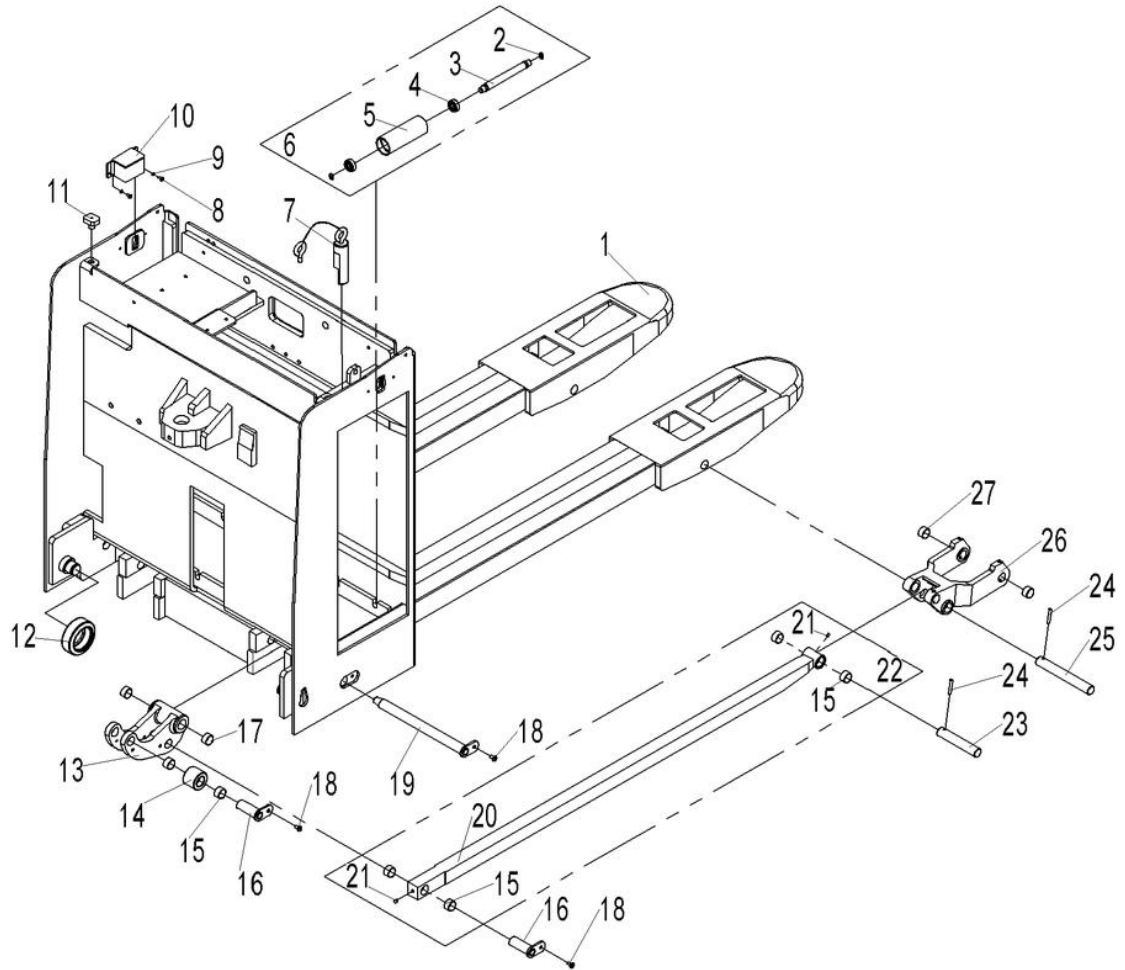
Fig.1 Appearance



**Fig.1 Appearance**

No.	Art No.	Description	Qty.	Note
1	9000017898	Battery cover welding (210Ah)	1	
2	0000023306	Screw	1	M5x20
3	0000025014	Flat washer	1	5
4	0000025015	Washer	1	5
5	9000008339	Seal strip	1	
6	0000025018	Washer	2	4
7	0000023073	Screw M4x10	2	
8	0000025019	Flat washer 4	2	
9	9000008795	Bolt CL037	1	
10	9000007792	Screw	1	M10X45
11	9000007783	Nut	3	
12	9000010662	Electrical box main cover	1	
13	0000023040	Screw	4	M6x16
14	0000025010	Washer	4	6
15	0000023055	Flat washer	4	6
16	9000010663	Indicator cover	1	
17	9000010664	Motor main cover	1	
18	9000010665	Tiller operation assembly	1	
19	9000011593	Motor cover left assembly plate	1	
20	1000423001	Screw	2	M10X20
21	9000011594	Motor cover right assembly plate	1	

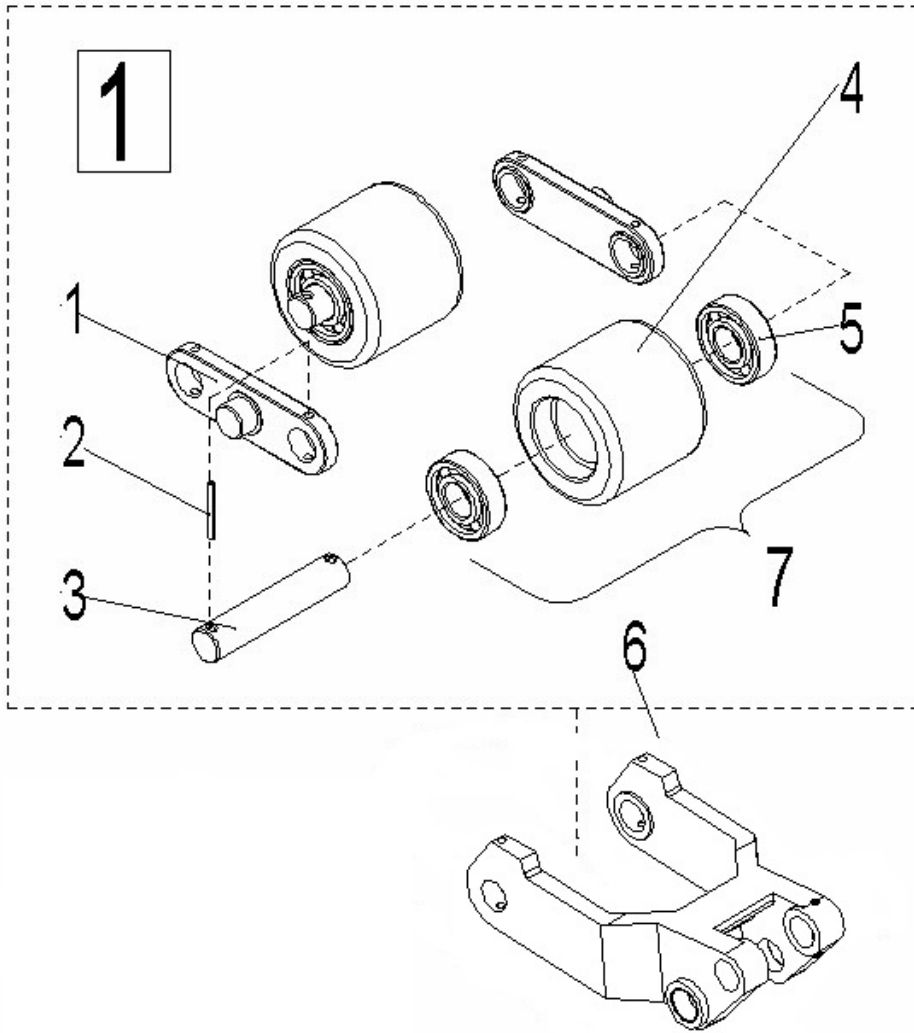
Fig.2 Chassis



**Fig.2 Chassis**

No.	Art No.	Description	Qty.	Note
1	9000017885	Chassis assembly	1	210
2	0000026004	Circlip	12	15
3	9000011591	Axle	6	
4	0000027060	Bearing	12	6202
5	9000011592	Barrel	6	
6	9000011590	roller components	6	
7	9000017877	Lock axle components	1	
8	0000023071	Screw	4	M4x8
9	0000025018	Washer	4	4
10	9000017887	Switch cover	2	
11	9000008340	Anti vibration rubber	2	
12	2240611001	Compound roller	2	
13	9000011729	Big rib plate	2	
14	9000008631	Roller	2	
15	0000027005	Bushing 20X22X12	16	
16	9000008465	Fixed axle welding	4	
17	1000413001	Bushing 20X23X15	4	
18	1000523002	Screw	6	M6X14
19	9000017888	Fixed axle assembly	2	
20	9000017886	Push rod welding	2	
21	0000030001	Grease nipple	8	6
22	9000017909	Push rod parts	2	
23	9000011727	Push rod axle	2	
24	0000028009	Elastic cylindrical pin	4	5x35
25	9000011725	Lever block axle	2	
26	9000011726	Lever block	2	
27	0000013002	Bushing 20X22X12	4	

Fig.3 Load roller assembly

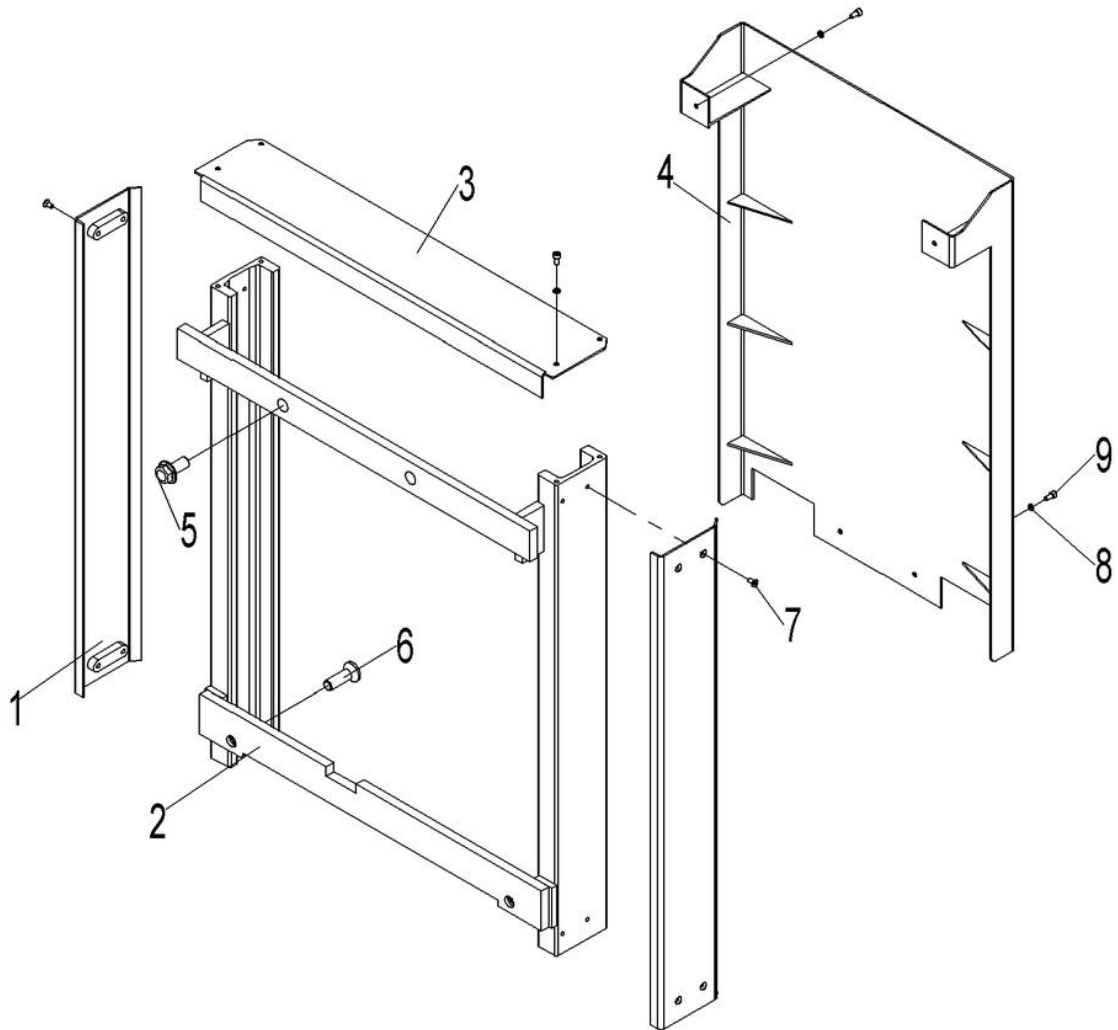




**Fig.3 Load Roller Assembly**

No.	Art No.	Description	Qty.	Note
1	9000008513	Linking plate	2	
2	0000028055	Elastic cylindrical pin	4	5x40
3	9000011732	Axle	2	
4	2000416002	Load roller	2	80x70
5	0000027001	Bearing	4	6204
6	0000030001	Grease nipple	2	6
7	9000010398	Wheel set	2	
①	9000011733	Load roller assembly	2	

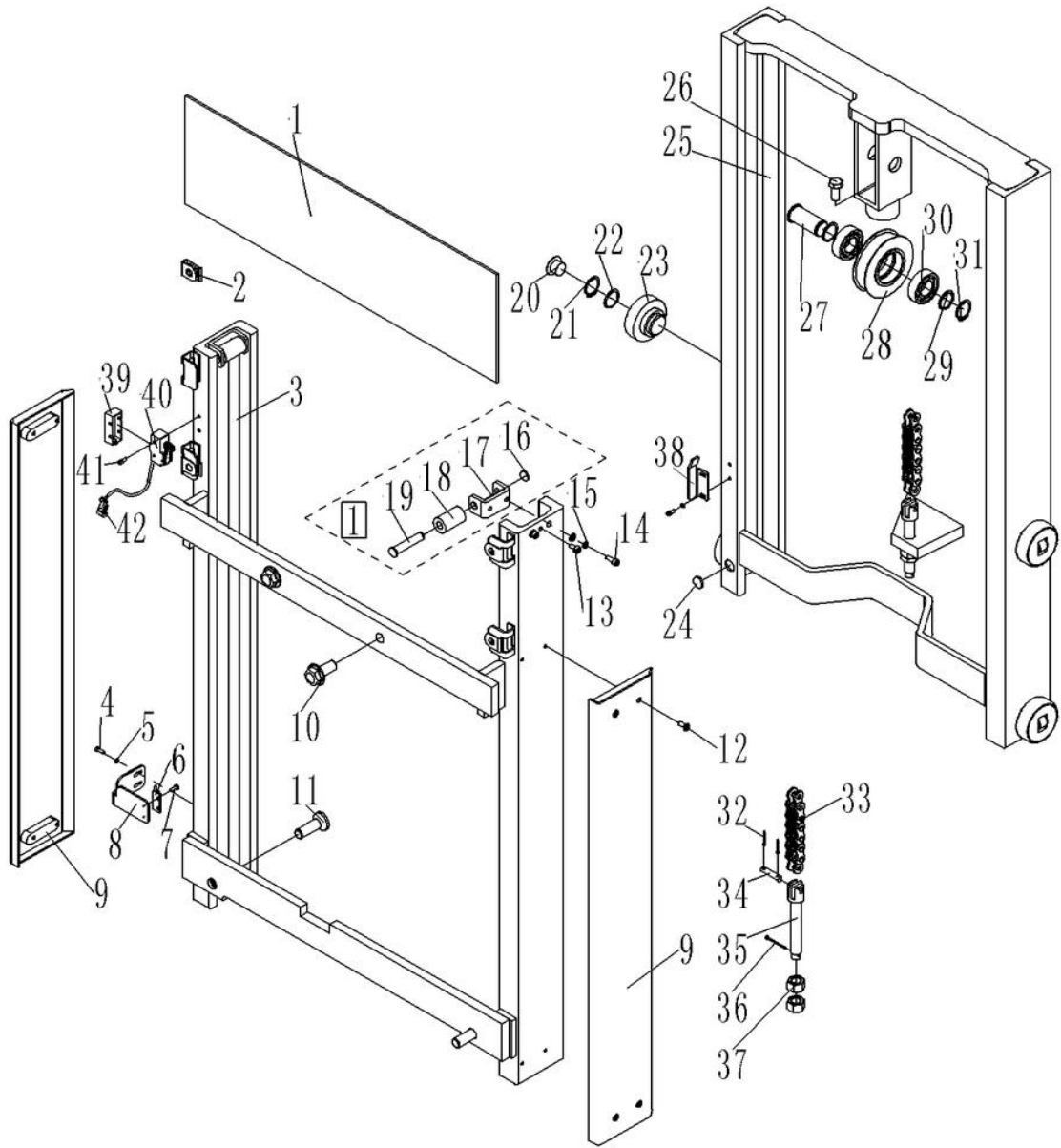
Fig.4 Mast assembly PT20I



**Fig.4 Mast Assembly**

No.	Art No.	Description	Qty.	Note
1	9000017890	Side plate welding	2	
2	9000017891	Mast assembly	1	
3	9000017857	Cover plate	1	
4	9000017892	Seal plate assembly	1	
5	0090000658	Bolt	2	M16x35
6	2210423001	Screw	2	(M16X52)
7	0000023864	Screw	8	M6x17
8	0000025010	Washer	8	6
9	0000023042	Screw	8	M6x10

Fig.5 Mast assembly PT20D (1600/2000)

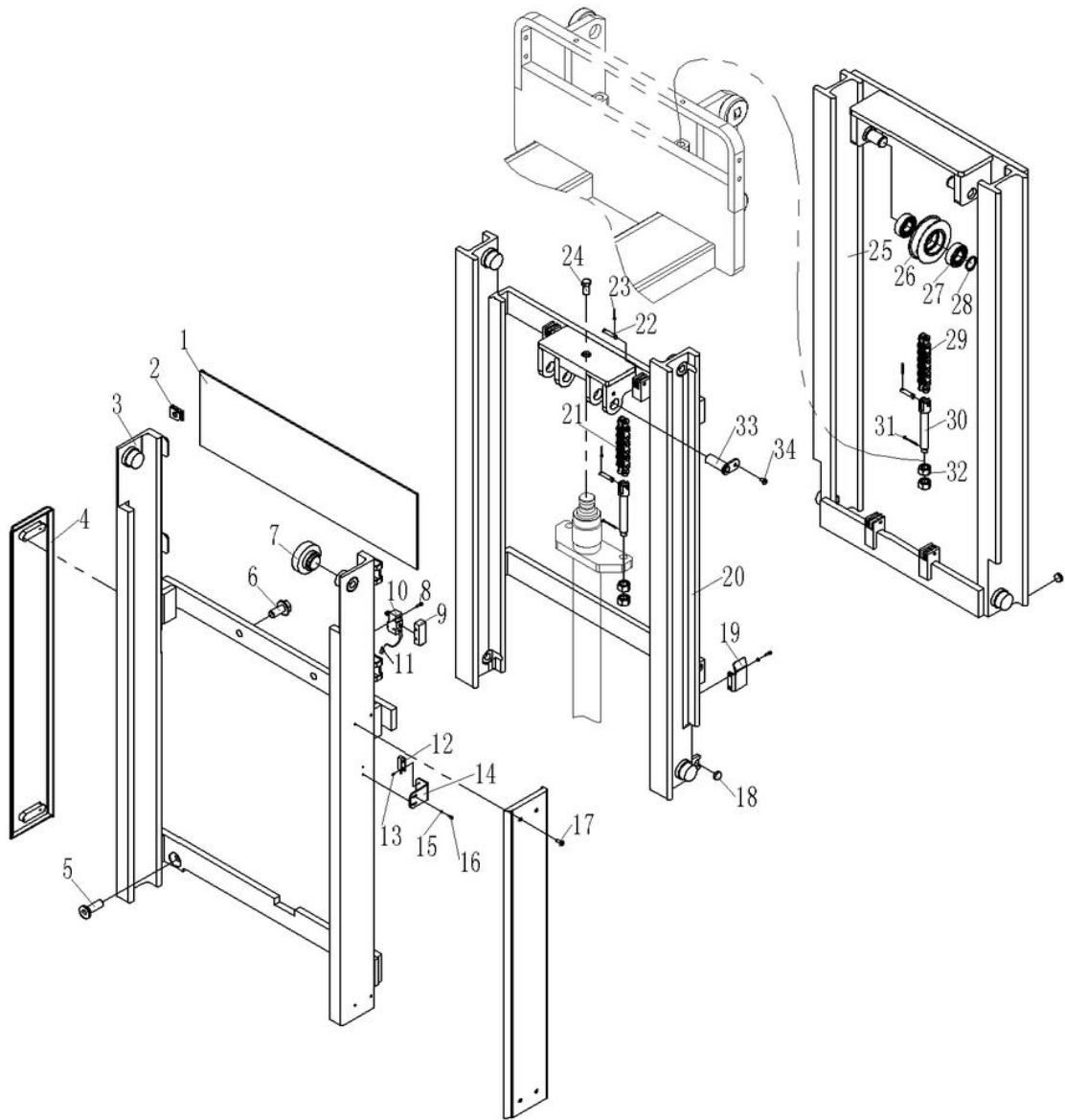


**Fig.5 Mast Assembly PT20D (1600/2000)**

No.	Art No.	Description	Qty.	Note
1	9000018217	Protective glass(1600)	1	
2	9000007782	Spring buckle (thickness 1)	4	
3	9000018257	Mast welding	1	
	9000018232	Mast welding	1	
4	0000023073	Screw	4	M4x10
5	0000025009	Washer	1	4
6	9000008332	Magnetic switch HWK23	1	
7	0000023216	Screw	2	M3x8
8	9000009121	Magnetic switch holder	4	
9	9000018255	Side plate assembly	2	
10	0090000658	Bolt	2	M16x35
11	2210423001	Screw	2	M16X52
12	0000023864	Screw	8	M6x17
13	0000023089	Screw	2	M8x12
14	0000023089	Screw	4	M8x16
15	0000025001	Washer	4	8
16	0090000626	Circlip	2	12
17	2530504007	Wheel seat	2	
18	2500511002	Guide wheel	2	
19	2500507003	Short axle	2	
20	2500502003	Side cushion block	4	
21	2500525001	Washer	4	
22	0000026013	Circlip	4	
23	2530402002	Roller	4	
24	2000435002	Magnet steel	1	
25	9000018256	Mast welding	1	
	9000018233	Mast welding	1	
26	0000023226	Bolt	1	M12x25
27	3028002008	Chain wheel axle	1	
28	3028002007	Chain wheel	1	
29	2240302001	Adjusting washer (thickness 2)	2	

30	0000027011	Bearing 6205	2	
31	0000026013	Circlip	1	25
32	0000028010	Split pin	2	2x20
33	0090000586	Chain LH1044x71	1	
	0000029136	Chain LH1044x85	1	
34	0090000441	Short axle 6x28	1	
35	9000008177	Chain pull rod	1	
36	0000028070	Split pin	1	4x40
37	0090000442	Nut	2	M16x1.5
38	9000018218	Mounting plate(limit)	1	
39	2040603002	Micro switch protective cover	1	
40	9000000794	Micro switch	1	RZ-15GW2S-B3
41	0000023041	Screw	2	M4×30
42	9000017648	Limit control wiring harness 2	1	
	9000018421	Limit control wiring harness 2	1	
①	2530500002	Guide wheel	2	

**Fig.6 Mast assembly PT20D (2500)**



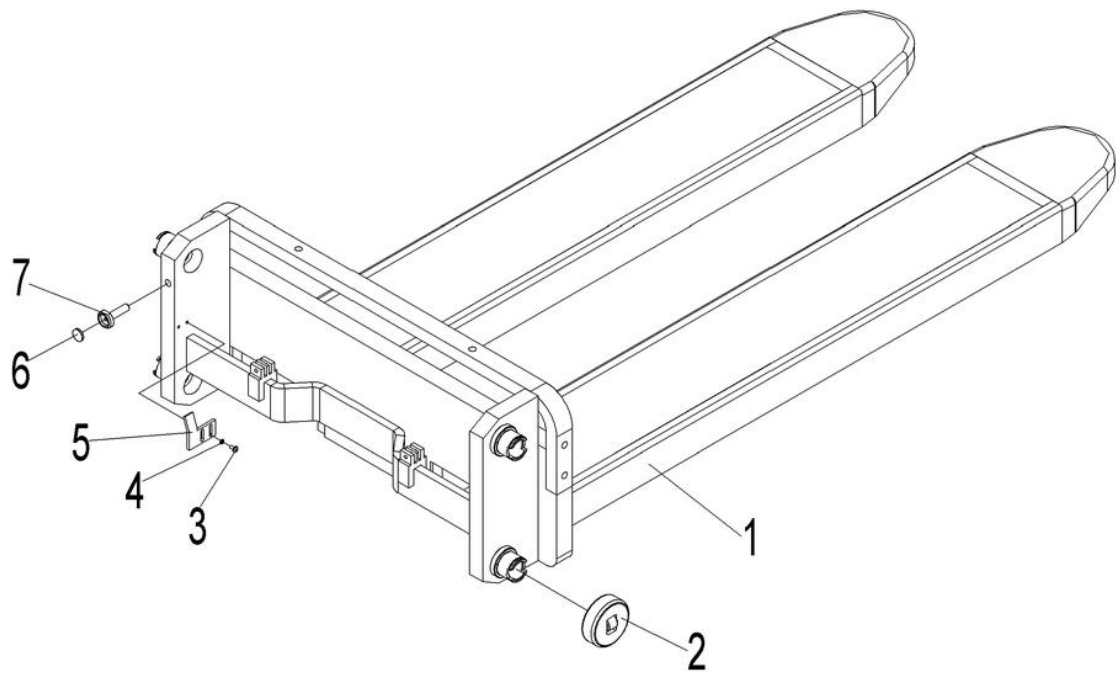
**Fig.6 Mast assembly PT20D (2500)**

No.	Art No.	Description	Qty.	Note
1	9000018399	Protective glass	1	
2	9000007782	Spring buckle (thickness 1)	4	
3	9000018400	Mast welding	1	
4	9000018255	Side plate assembly	2	

5	2210423001	Screw	2	M16X52
6	0090000658	Bolt	2	M16x35
7	2240611001	Compound roller 1	8	
8	0000023041	Screw	2	M4×30
9	2040603002	Micro switch protective cover	1	
10	9000000794	Micro switch	1	RZ-15GW2S-B3
11	9000018417	Limit control wiring harness	1	
12	9000008332	Magnetic switch HWK23	1	
13	0000023216	Screw	2	M3x8
14	9000018401	Magnetic switch holder	1	
15	0000025009	Washer	4	4
16	0000023073	Screw	4	M4x10
17	0000023864	Screw	8	M6x17
18	2000435002	Magnet steel	1	
19	9000018402	Limit plate	1	
20	9000018403	Mast welding	1	
21	0000029258	Chain LH1044x69	2	
22	0090000441	Short axle	8	6x28
23	0000028010	Split pin	8	2x20
24	0000023226	Bolt	1	M12x25
25	9000018404	Mast welding	1	
26	9000018405	Chain wheel	4	
27	0000027011	Bearing	8	6205
28	0000026013	Circlip	4	25
29	0090000586	Chain LH1044x71	2	
30	9000008177	Chain pull rod	4	
31	0000028070	Split pin	4	4x40
32	0000024042	Nut	8	M16x1.5
33	9000018406	Axle 25x63	2	
34	0000023103	Screw	2	M6x8



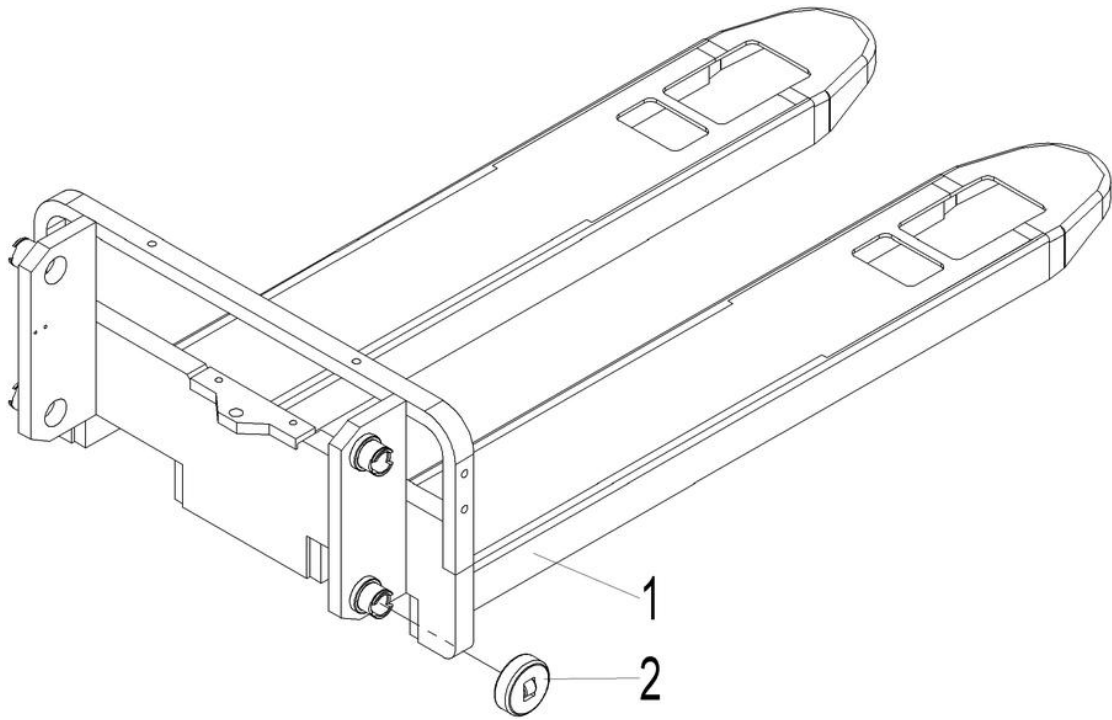
Fig.7 Pallet frame assembly PT20I



**Fig.7 Pallet Frame Assembly PT20I**

No.	Art No.	Description	Qty.	Note
1	9000017889	Fork frame assembly	1	210
2	2210511001	Compound roller	4	
3	0000023071	Screw	2	M4x8
4	0000025018	Washer	2	4
5	9000017805	Baffle (limit)	1	
6	2000435002	Magnet steel	1	
7	9000008079	Magnet steel seat	1	
8	0000024012	Nut	1	M10

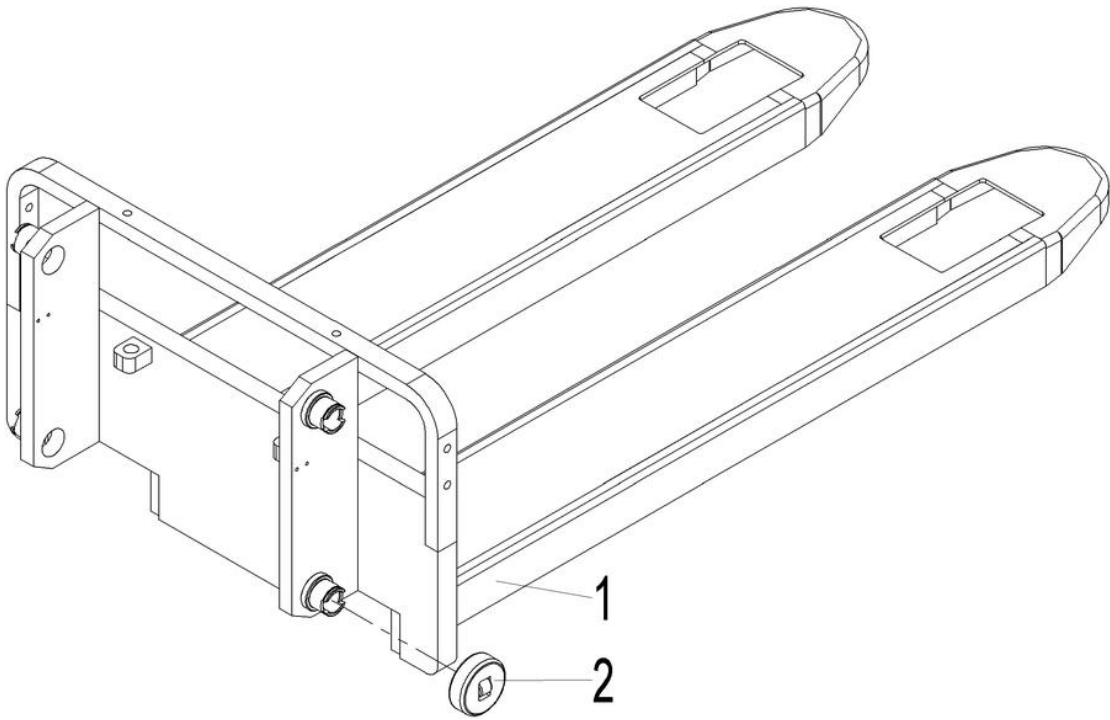
**Fig.8 Pallet frame assembly PT20D (1600/2000)**



**Fig.8 Pallet Frame Assembly PT20D (1600/2000)**

No.	Art No.	Description	Qty.	Note
1	9000018231	Fork frame assembly	1	210
2	2210511001	Compound roller	4	

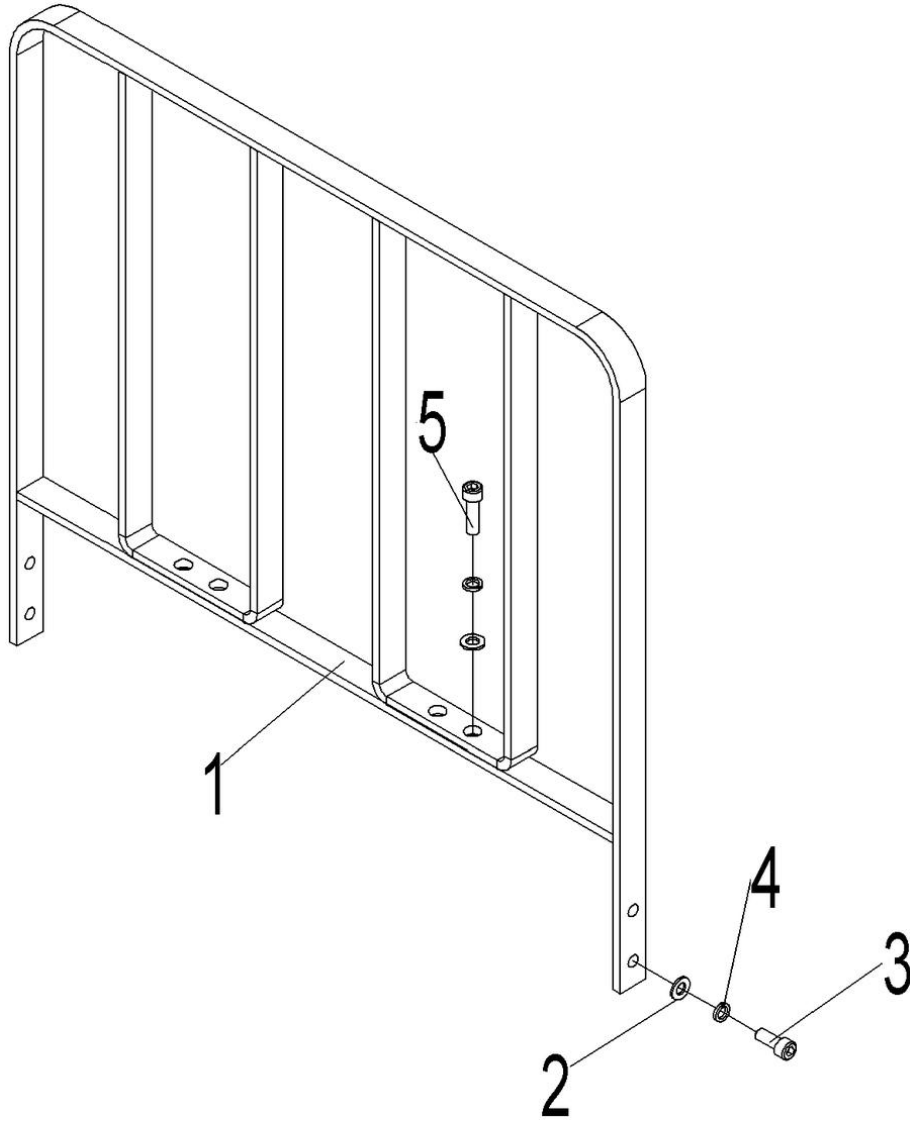
**Fig.9 Pallet frame assembly PT20D (2500)**



**Fig.9 Pallet Frame Assembly PT20D (2500)**

No.	Art No.	Description	Qty.	Note
1	9000018407	Fork frame assembly	1	
2	2210511001	Compound roller	4	

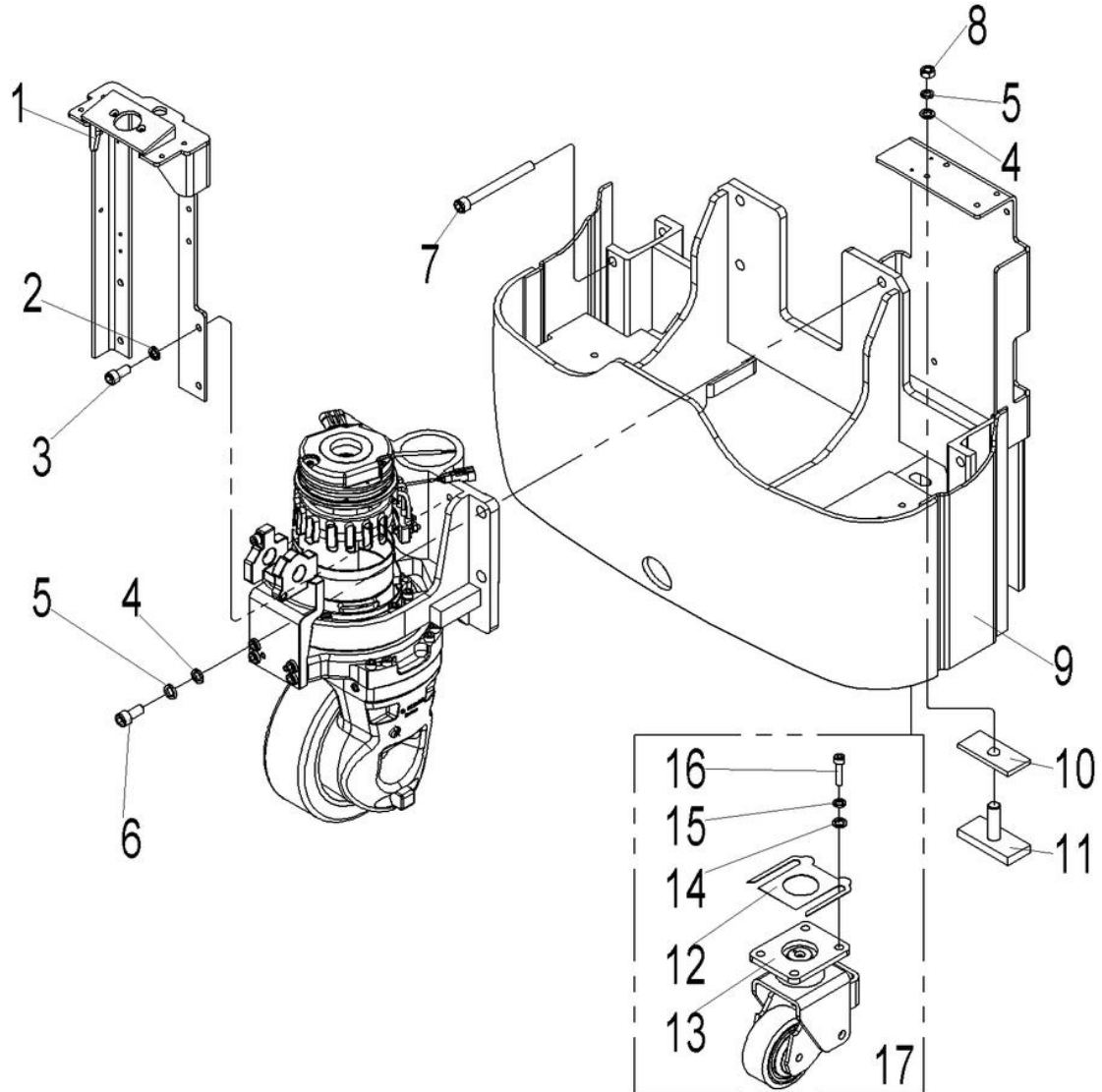
**Fig.10 Load roller assembly**



**Fig.10 Load Backrest Assembly**

No.	Art No.	Description	Qty.	Note
1	9000017897	Load backrest welding	1	210
2	0000025002	Flat washer	4	10
3	0000023088	Screw	2	M10x25
4	0000023006	Washer	4	10
5	0000023029	Screw	2	M10x35

Fig.11 Truck body assembly

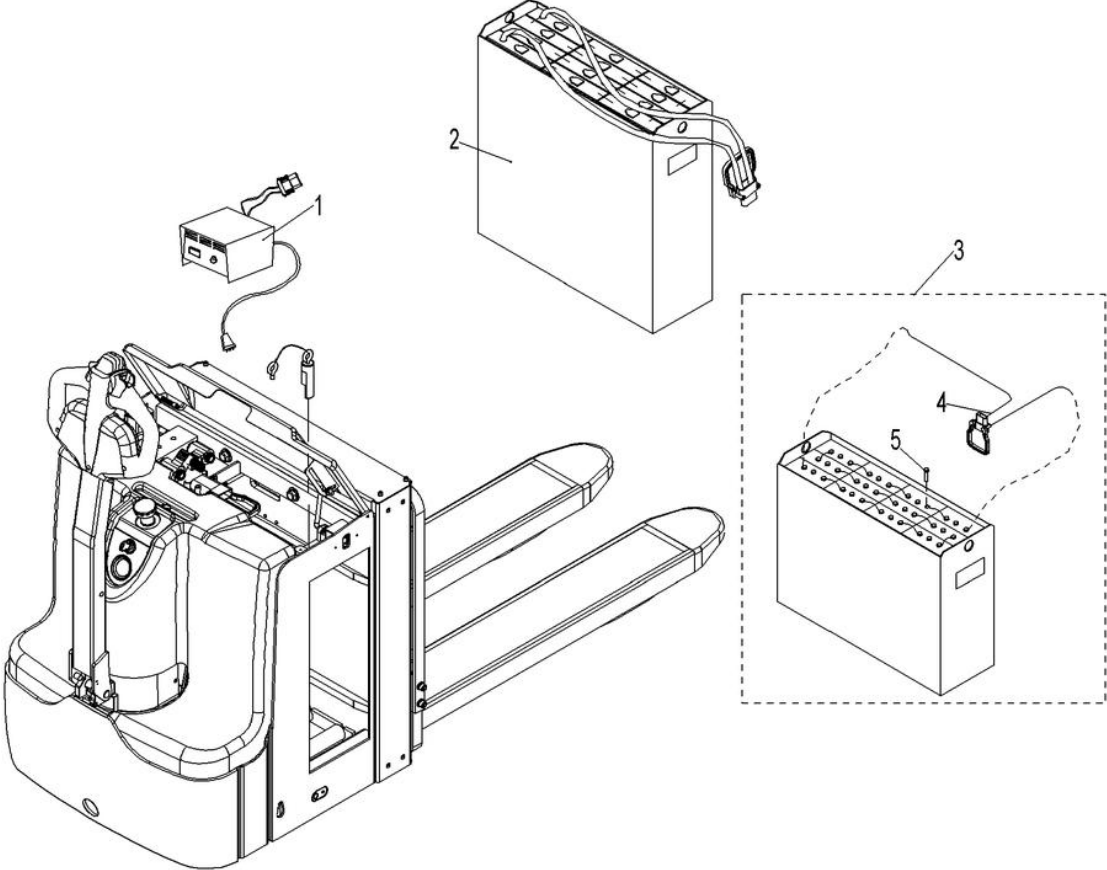


**Fig.11 Truck Body Assembly**

No.	Art No.	Description	Qty.	Note
1	9000017894	Instrument seat	1	
2	0000025001	Washer	4	8
3	0000023067	Screw	4	M8x16
4	0000025089	Washer	6	16
5	0000025059	Washer	6	16
6	0000023583	Bolt	4	M16x45
7	0000023336	Bolt	2	M12x100
8	0000025089	Washer	2	16
9	9000017893	Truck body assembly (560x1150)	1	
10	9000011721	Base plate	N	
11	9000011720	Adjusting block welding	2	
12	1000404031	Adjusting pad	several	1mm
	1000404032	Adjusting pad		0.5mm
13	9000010716	Steering wheel components	2	
14	0000025002	Flat washer	8	10
15	0000023006	Washer	8	10
16	0000023025	Screw	8	M10×40
17	9000011777	Steering wheel assembly	2	



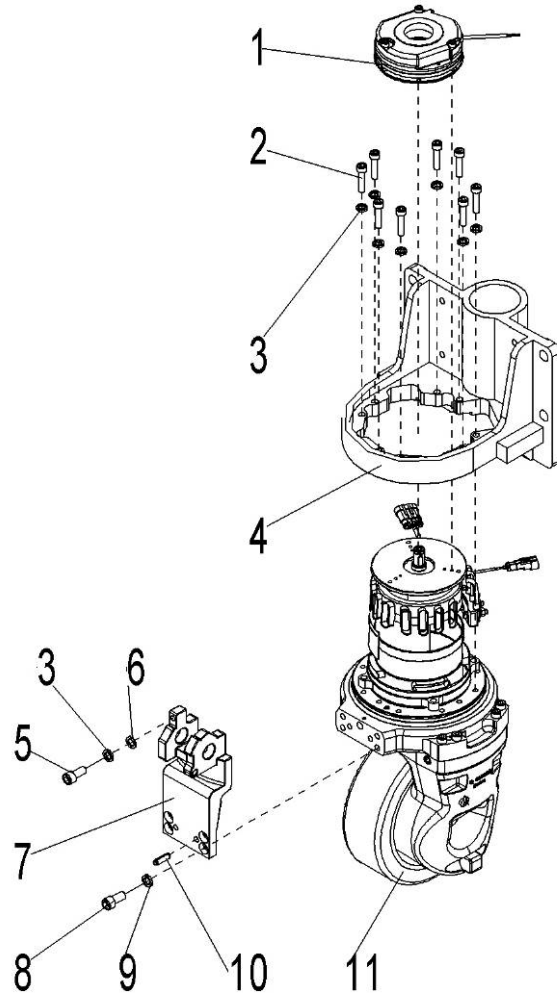
Fig.12 Battery components



**Fig.12 Battery Components**

No.	Art No.	Description	Qty.	Note
1	9000010116	Charger (Asia in Chinese)	1	24V/30A
	9000010117	Charger (Asia in English)	1	24V/30A
	9000010118	Charger (EU)	1	24V/30A
	9000010120	Charger (AUS)	1	24V/30A
	9000010121	Charger (UK)	1	24V/30A
	9000010146	Charger (US)	1	24V/30A
2	9000017911	Power supply assembly	1	Weld
3	9000017905	Power supply assembly	1	Bolt
4	9000017910	Plug	1	Only for bolt type battery
5	9000009832	Screw	24	Only for bolt type battery

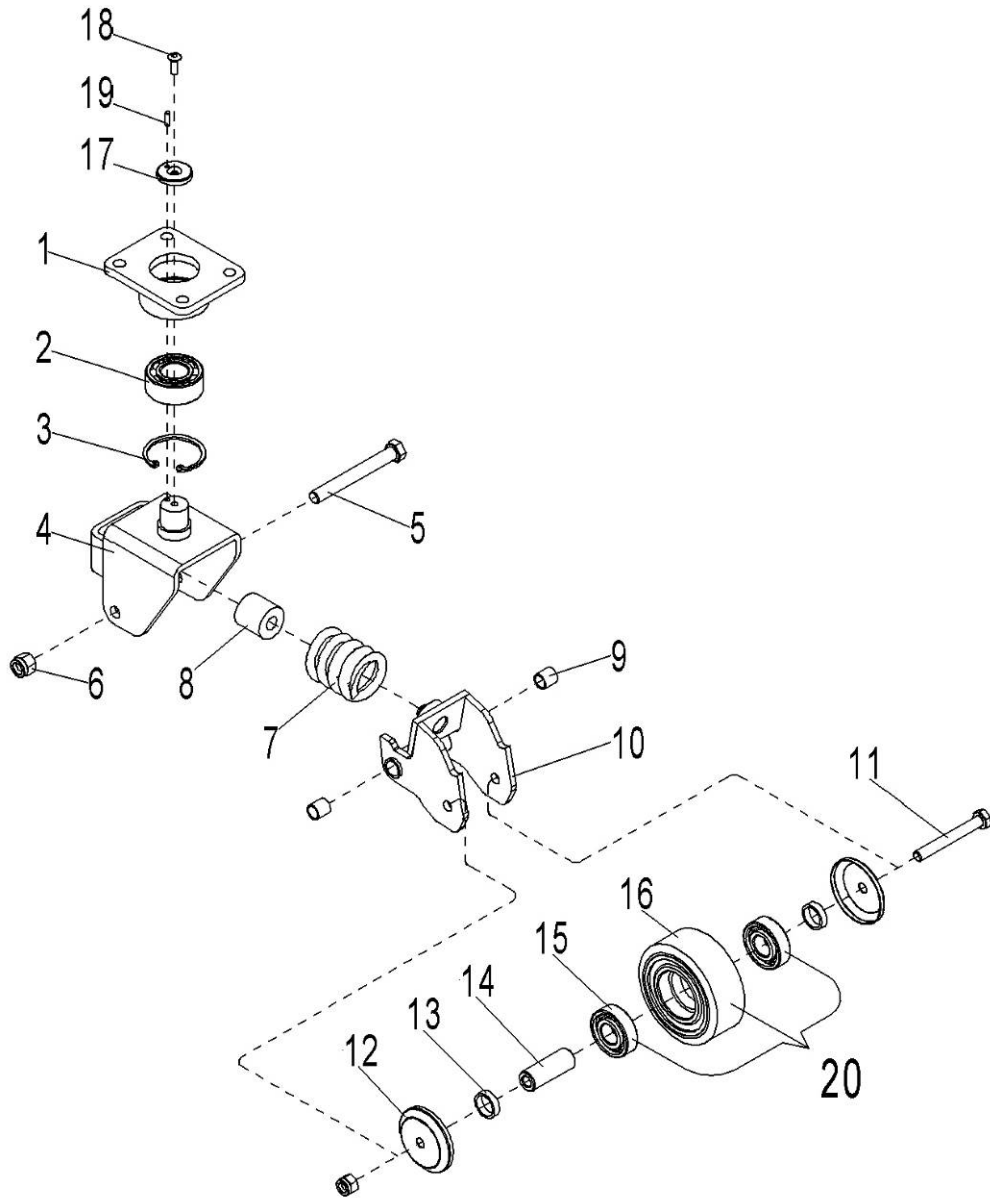
Fig.13 Drive wheel assembly



**Fig.13 Drive Wheel Assembly**

No.	Art No.	Description	Qty.	Note
1	9000011340	Electromagnetic brake	1	
2	0000023455	Screw	8	M8x35
3	0000025001	Washer	8	8
4	9000010933	Drive wheel seat	1	
5	0000023067	Screw	1	M8x16
6	0000025124	Washer	1	8
7	9000010691	Tiller seat	1	
8	0000023034	Screw	4	M10x20
9	0000023006	Washer	4	10
10	0000028116	Elastic cylindrical pin	2	8x26
11	9000010249	AC vertical type drive assembly	1	

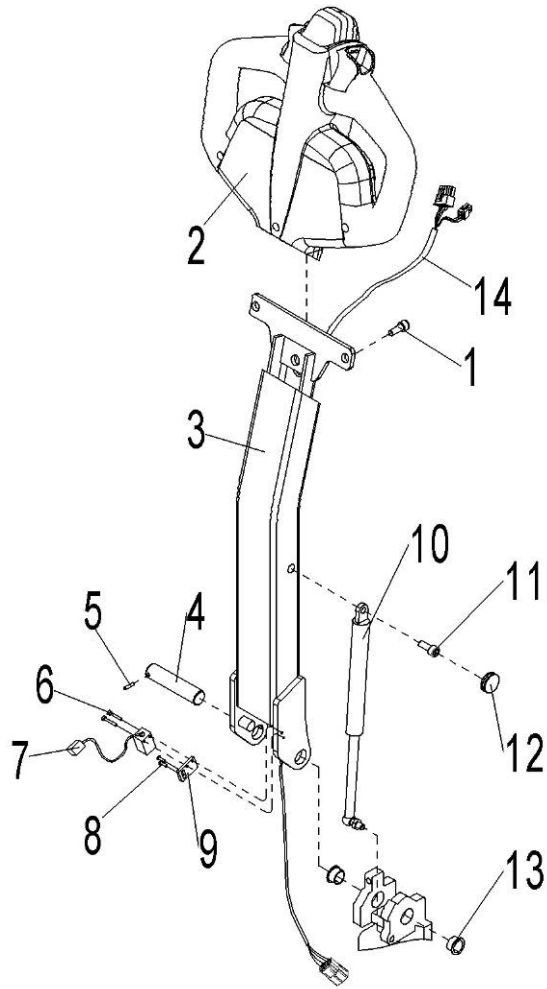
Fig.14 Steering wheel assembly



**Fig.14 Steering Wheel Assembly**

No.	Art No.	Description	Qty.	Note
1	9000011774	Linking Plate	2	
2	0000027002	Bearing	2	3056205
3	0000026002	Circlip	2	52
4	1000401006	Wheel frame assembly	2	
5	1000423004	Screw	2	M12×100
6	0000024006	Nut	2	M12
7	1000431001	Press spring	2	9 length 62
8	1000419001	PU spring	2	
9	1000413002	Bushing	4	12×15×15
10	1000401008	Rotating arm	2	
11	0000023035	Bolt	2	M10×80
12	1000404023	Dust cover	4	
13	1000425003	Washer	4	
14	1000402005	Bushing	2	
15	0000027001	Bearing	4	6204
16	1000403008	Balance wheel	2	100×40
17	1000426001	Circlip	2	
18	1000523002	Screw	2	M6×14
19	0000028004	Cylindrical pin	2	4×14
20	9000008903	Wheel set kits	2	

Fig.15 Tiller assembly

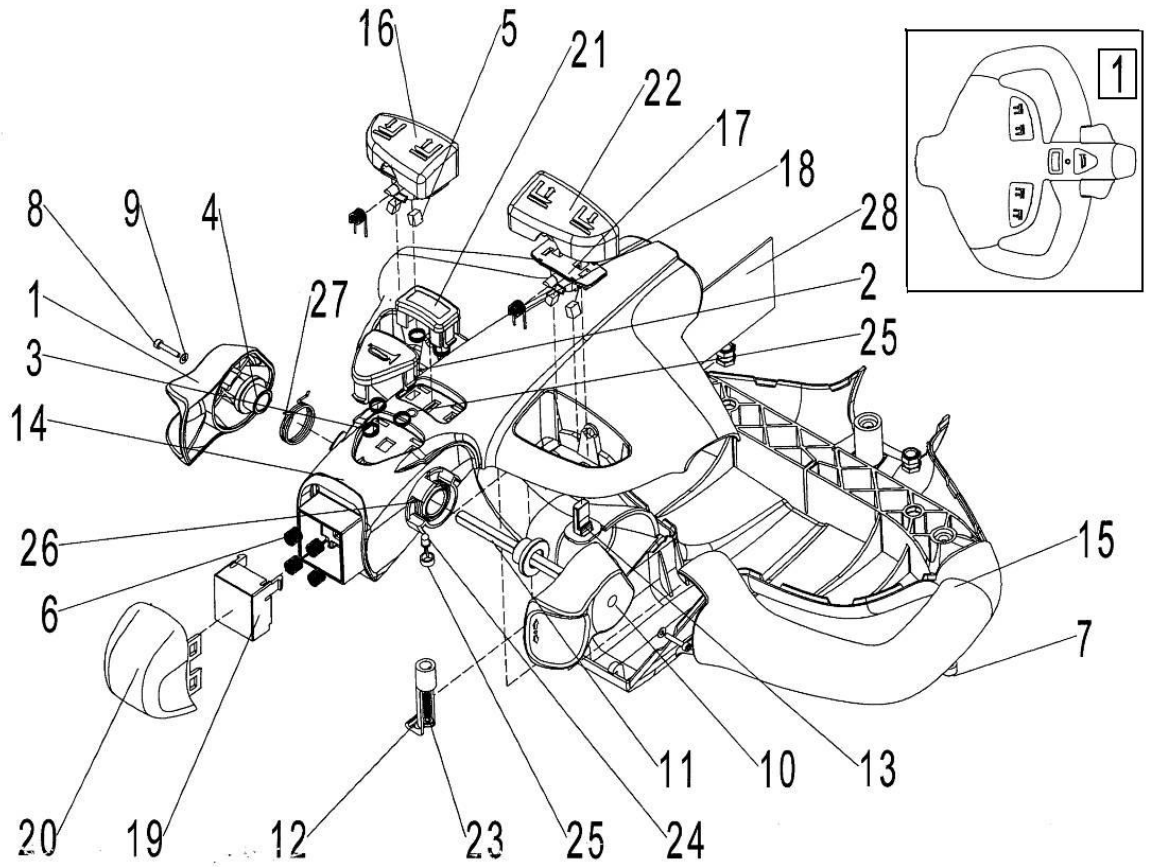


**Fig.15 Tiller Assembly**

No.	Art No.	Description	Qty.	Note
1	0000023047	Screw	2	M8x25
2	1100100001	Canbus control tiller C	1	94300-90
3	9000010693	Tiller arm assembly	1	
4	9000010694	Rotating axle	1	
5	0000028024	Elastic cylindrical pin	1	4X16
6	0000023075	Screw	2	M3x20
7	900000832	9 interlock switch	1	
8	0000023056	Screw	2	M4x12
9	9000010695	Switch base plate	1	
10	9000011289	Air spring	1	
11	0000023044	Screw	1	M8x20
12	9000010696	Seal bushing	1	
13	0000013002	Bushing	2	20X22X12
14	9000010650	Tiller control wiring harness	1	



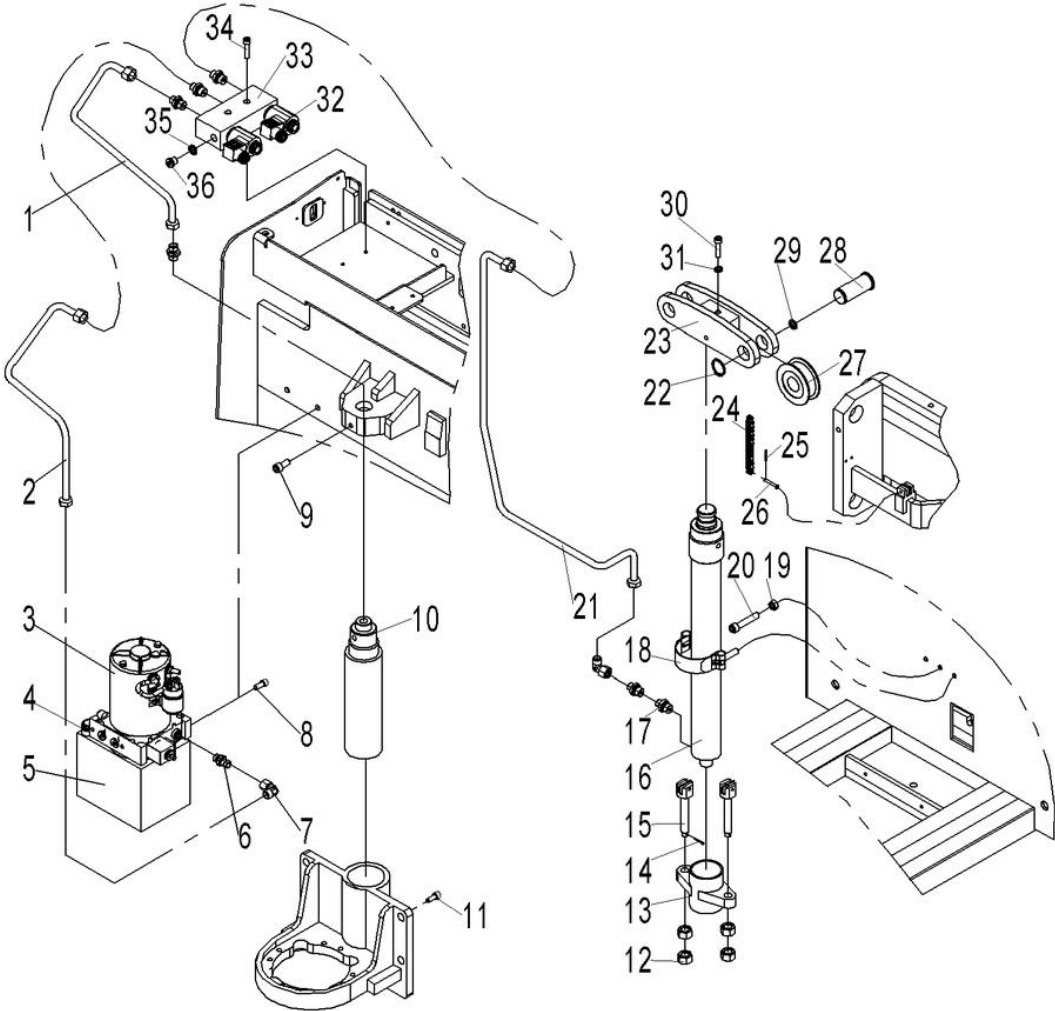
Fig.16 Canbus tiller



**Fig.16 Canbus Tiller**

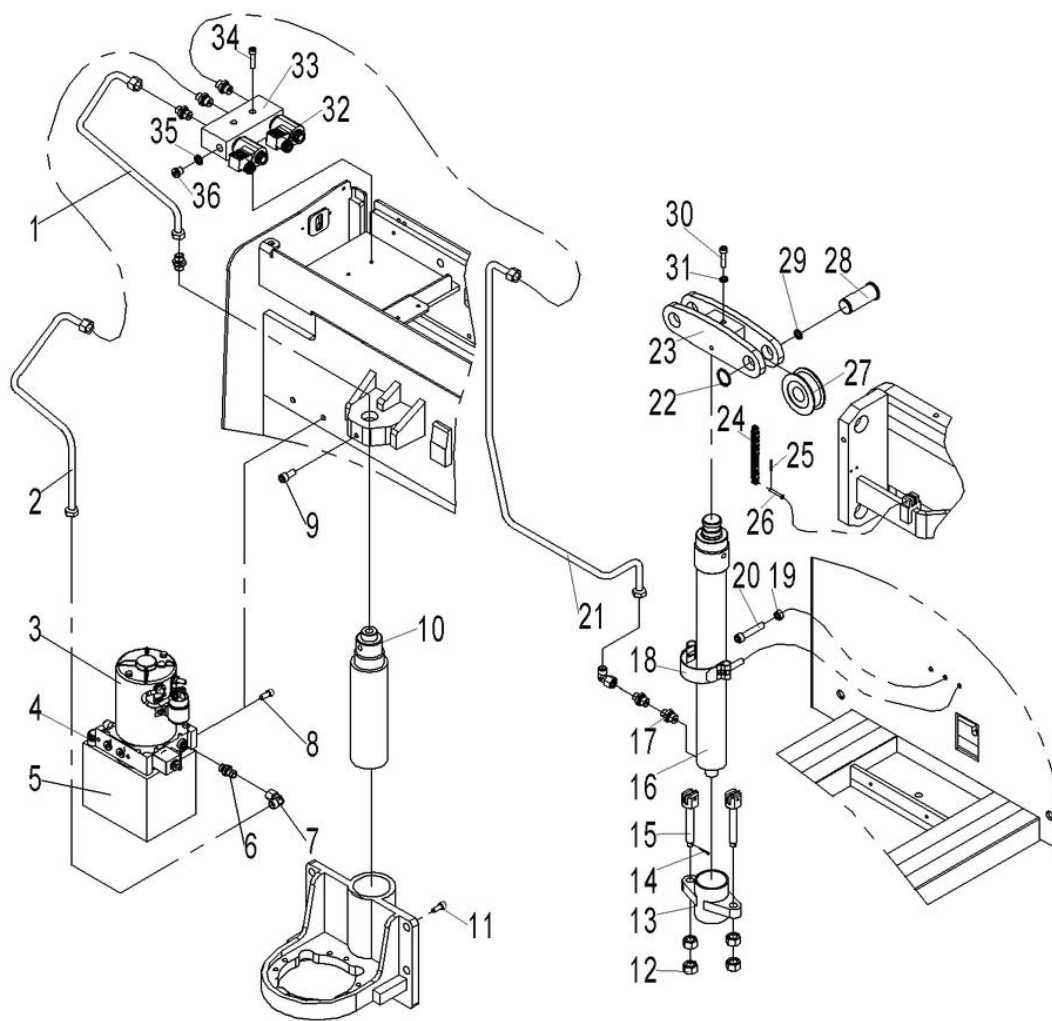
No.	Art No.	Description	Qty.	Note
1	1010114001	Left drive knob	1	
2	1000114015	Horn button	1	
3	1000131009	Horn button spring	5	
4	1000113004	Cam shaft bushing	2	
5	1000137001	Magnetic body	4	▲
6	1000131010	Emergency reversing button spring	4	
7	0000023058	Screw	3	M6X10
8	0000023057	Screw	2	M3X16
9	0000025017	Washer	2	3
10	1010114003	Right drive knob	1	
11	1000107002	Drive rotary knob axle	1	
12	1000137002	PCB plate holder	1	
13	1000134005	Sensor	2	
14	1000103012	Upper part of the handle	1	
15	1000103013	Lower part of the handle	1	
16	1000114017	Left button	1	
17	1000137003	Magnetic body fixing seat	2	
18	1000131011	Torsional spring	2	
19	1000114018	Emergency reversing button base	1	
20	1000114020	Emergency reversing button cover	1	
21	1000114021	Option switch main cover	1	
22	1000114022	Right button	1	
23	0000023060	Screw	1	ST4.2X25
24	1000134006	LED bi-colour light	1	
25	1000103014	LED bi-colour light seat	1	
26	1000131012	Right drive knob torsional spring	1	
27	1000131013	Left drive knob torsional spring	1	
28	1100135001	PCB	1	

Fig.17 PT 20I Hydraulic assembly



**Fig.17 PT 20I Hydraulic Assembly**

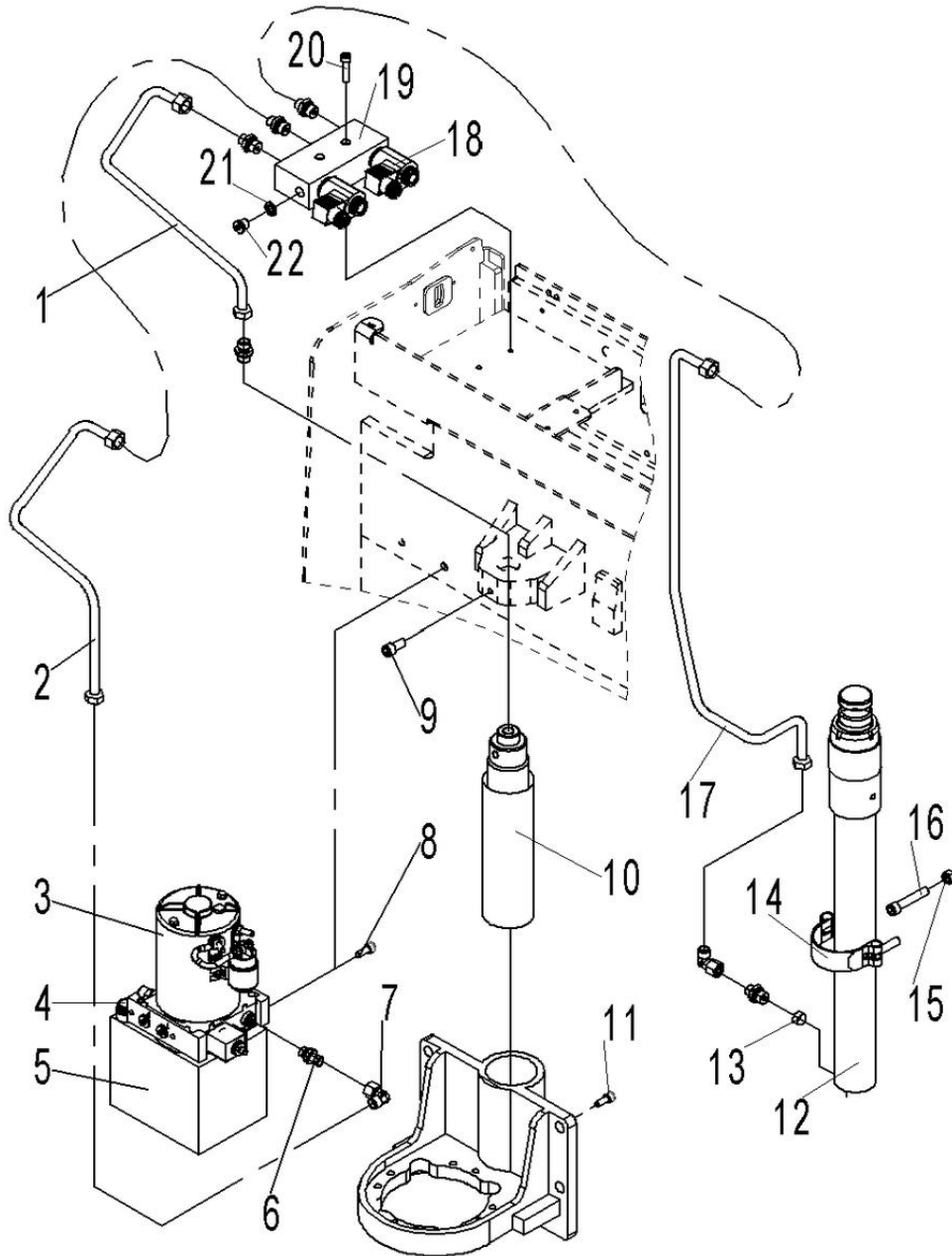
No.	Art No.	Description	Qty.	Note
1	9000017883	Hydraulic steel pipe welding(rear)	1	
2	9000017882	Hydraulic steel pipe welding(pump)	1	
3	9000017880	DC hydraulic power unit	1	
4	2000303001	Air plug	1	M18x1.5
5	9000017895	Oil tank welding	1	
6	9000007842	Straight joint	6	
7	9000007838	Steering linking joint	2	
8	0000023080	Screw	2	M10x16
9	0000023146	Screw	1	M8x16
10	9000017881	Cylinder assembly	1	
11	0000023034	Screw	1	M10x20
12	0090000442	Nut	4	M16x1.5
13	9000017896	Pull rod seat assembly	1	
14	0000028011	Split pin	2	3x40
15	9000017854	Bolt	2	M16x1.5x113.7
16	9000017879	Cylinder assembly (550)	1	
17	2000337001	Safety valve	1	
18	9000017855	Hoop components 80	1	
19	0000024018	Nut	3	M10
20	0000023355	Bolt	1	M10x45
21	9000017884	Hydraulic pipe welding(front)	1	
22	0000026008	Circlip	2	30
23	9000017843	Chain wheel seat	1	
24	0090000882	Chain	2	LH0844x50
25	0000028111	Split pin	4	1.6x10
26	0090000881	Short axle	4	5x32
27	9000017842	Chain wheel bearing	2	
28	9000017841	Chain wheel axle	2	
29	2000302002	Adjusting washer (thickness 2)	4	
30	0000023122	Screw	1	M12x50



**Fig.17 PT 20I Hydraulic Assembly**

No.	Art No.	Description	Qty.	Note
31	0000025024	Washer	2	12
32	9000013690	Electromagnetic valve	2	
33	9000017856	Hydraulic valve block	1	
34	0000023575	Screw	2	M6x50
35	0000022051	Combination seal washer	1	16
36	0090000170	Screw plug	1	M16x1.5

Fig.18 PT 20D Hydraulic assembly

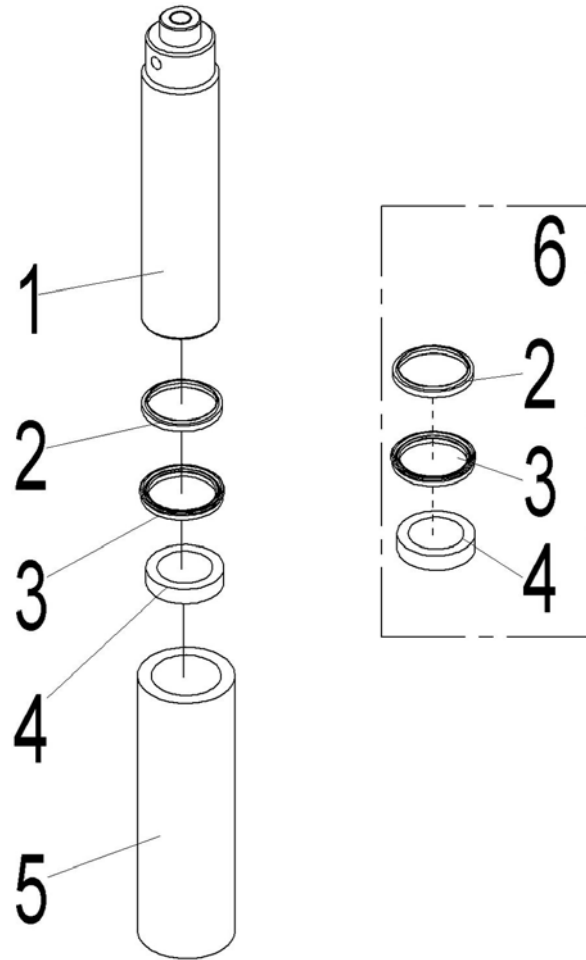


**Fig.18 PT 20D Hydraulic Assembly**

No.	Art No.	Description	Qty.	Note
1	9000017883	Hydraulic pipe welding(rear)	1	
2	9000017882	Hydraulic pipe welding(pump)	1	
3	9000017880	DC hydraulic power unit	1	
4	2000303001	Air plug M18x1.5	1	
5	9000017895	Oil tank welding	1	
6	9000007842	Straight joint	6	
7	9000007838	Steering linking joint	2	
8	0000023080	Screw	2	M10x16
9	0000023146	Screw	1	M8x16
10	9000017881	Cylinder assembly (front)	1	
11	0000023034	Screw	1	M10x20
12	9000018229	Cylinder assembly (rear)	1	1600
	9000018230	Cylinder assembly (rear)	1	2000
	9000018408	Cylinder assembly (rear)	1	2500
13	2000337001	Safety valve	1	
14	9000017855	Hoop components 80	1	
15	0000024018	Nut	3	M10
16	0000023355	Bolt	1	M10x45
17	9000017884	Hydraulic pipe welding(front)	1	
18	9000013690	Electromagnetic valve	2	
19	9000017856	Hydraulic valve block	1	
20	0000023575	Screw	2	M6x50
21	0000022051	Combination seal washer	1	16
22	0090000170	Screw plug	1	M16x1.5



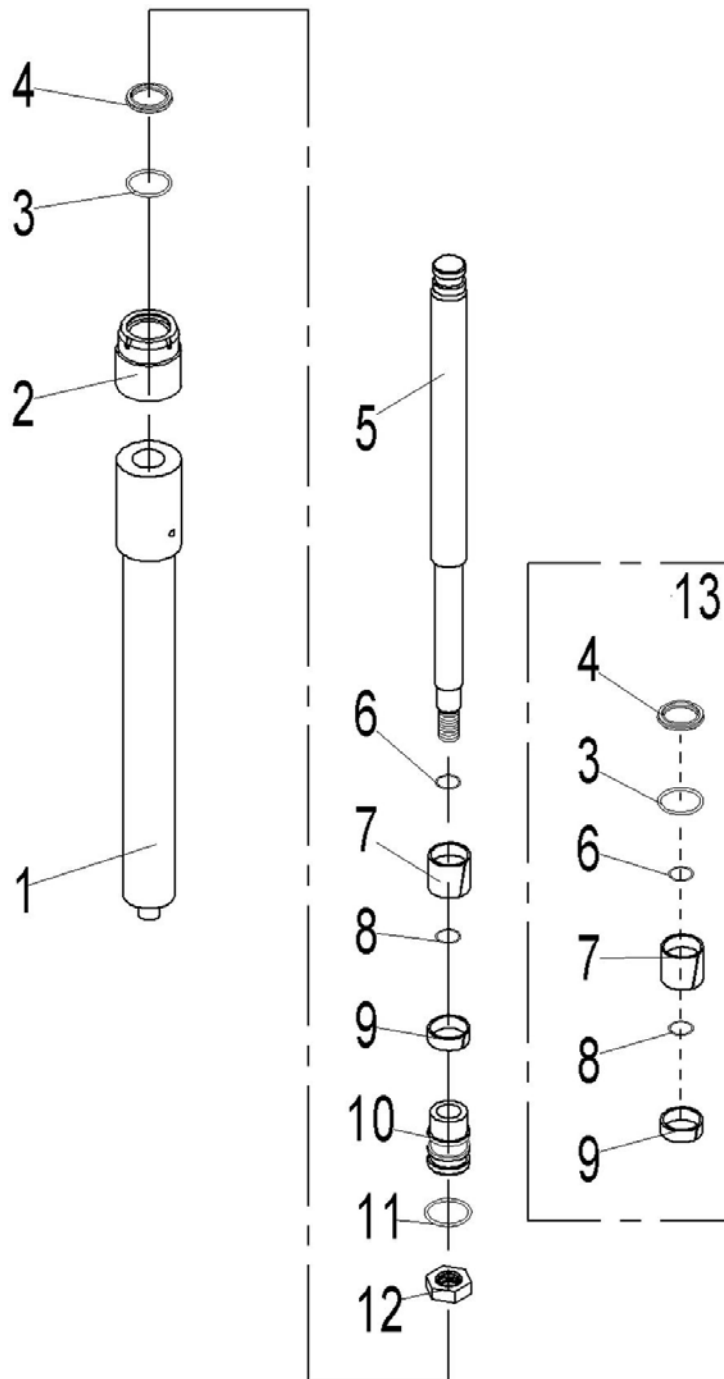
**Fig.19 Cylinder assembly (front)**



**Fig.19 Cylinder Assembly (front)**

No.	Art No.	Description	Qty.	Note
1	9000017840	Piston rod	1	50x232
2	9000010701	Dust ring	1	50X58X5/6.5
3	9000010700	Y seal ring	1	50X60X6/7
4	9000010699	Support ring	1	50X55X15
5	9000017899	Cylinder body	1	
6	9000010704	Seal kits	1	

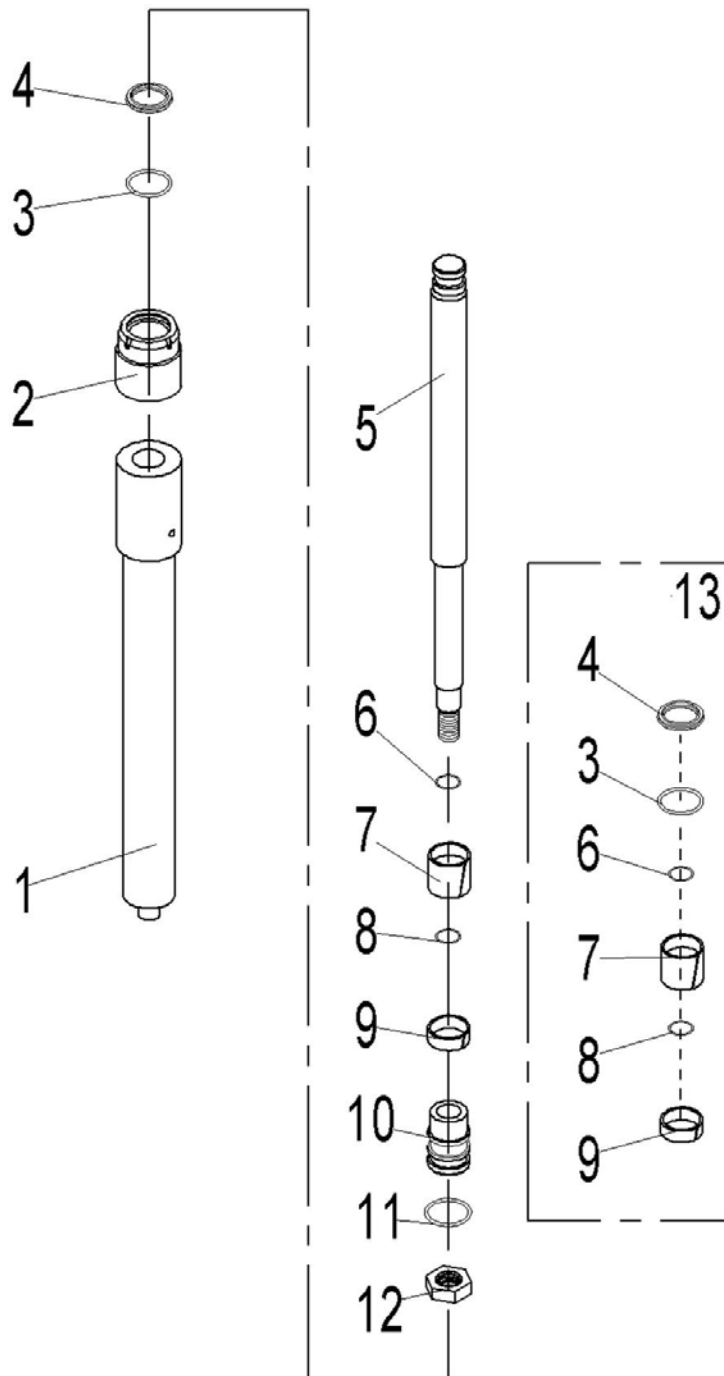
Fig.20 PT 20l Cylinder assembly (rear)



**Fig.20 PT 20I Cylinder Assembly (rear)**

No.	Art No.	Description	Qty.	Note
1	9000017872	Barrel	1	
2	9000009358	Cylinder cover	1	
3	9000009927	Supporting ring 40X44X10	1	
4	9000009926	Dust ring 40X48X5/6.5	1	
5	9000017873	Lever	1	
6	0000022014	O rubber seal ring 25x3.1	2	
7	9000009361	Piston	1	
8	0000022013	O rubber seal ring 45x3.1	1	
9	9000015661	Support ring 40X45X10	1	
10	9000017912	Y ring 35X45X6/7	1	
11	0000024074	I nut M20x1.5	1	
12	0000025033	Washer 20	1	
13	9000009953	Cylinder seal kits	1	

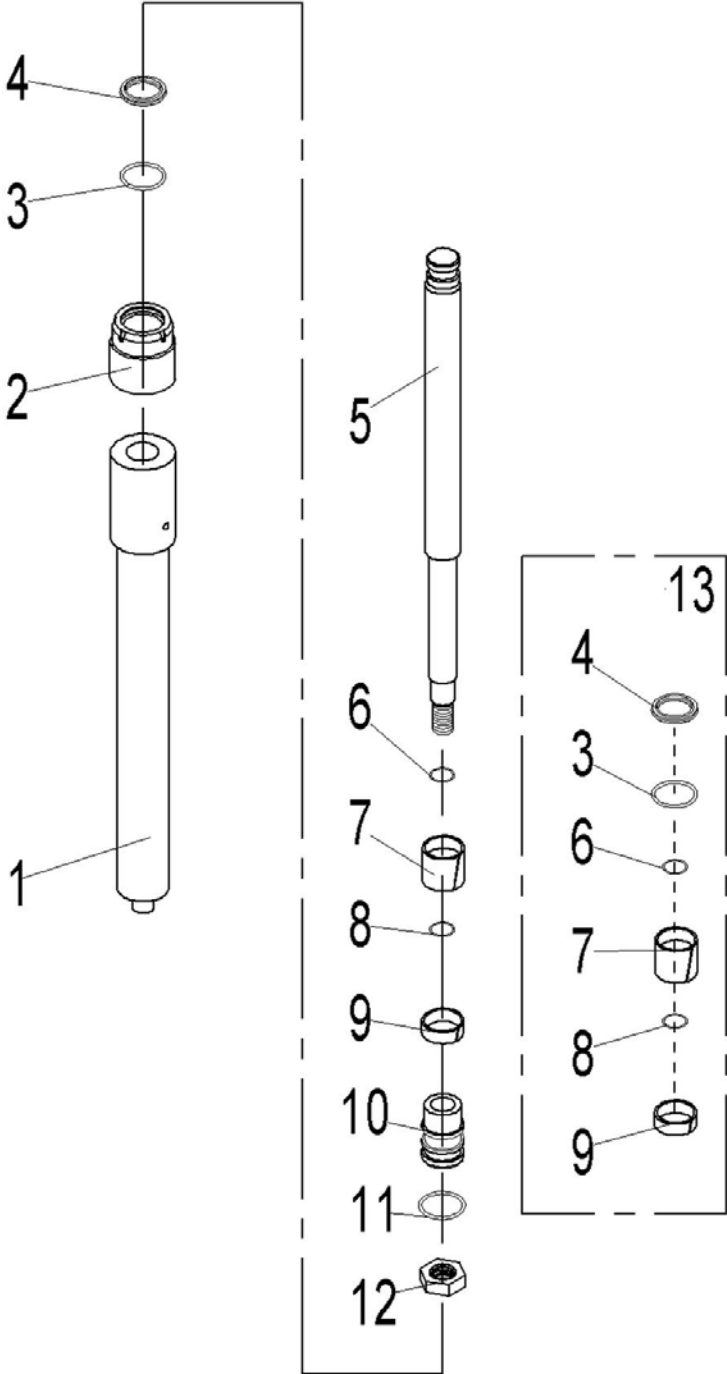
Fig.21 PT 20D Cylinder assembly (rear1600/2000)



**Fig.21 PT 20D Cylinder Assembly (rear1600/2000)**

No.	Art No.	Description	Qty.	Note
1	9000018219	Barrel	1	
	9000018224	Barrel	1	
2	9000009358	Cylinder cover		
3	9000009927	Support ring 40X44X10	1	
4	9000009926	Dust ring 40X48X5/6.5	1	
5	9000018220	Lever	1	
	9000018225	Lever	1	
6	0000022014	O rubber seal ring 25x3.1	2	
7	9000009361	Piston	1	
8	0000022013	O rubber seal ring 45x3.1	1	
9	9000015661	Support ring 40X45X10	1	
10	9000017912	Y ring 35X45X6/7	1	
11	0000024074	I nut M20x1.5	1	
12	0000025033	Washer 20	1	
13	9000009953	Cylinder seal kits	1	

Fig.22 PT 20D Cylinder assembly (rear2500)

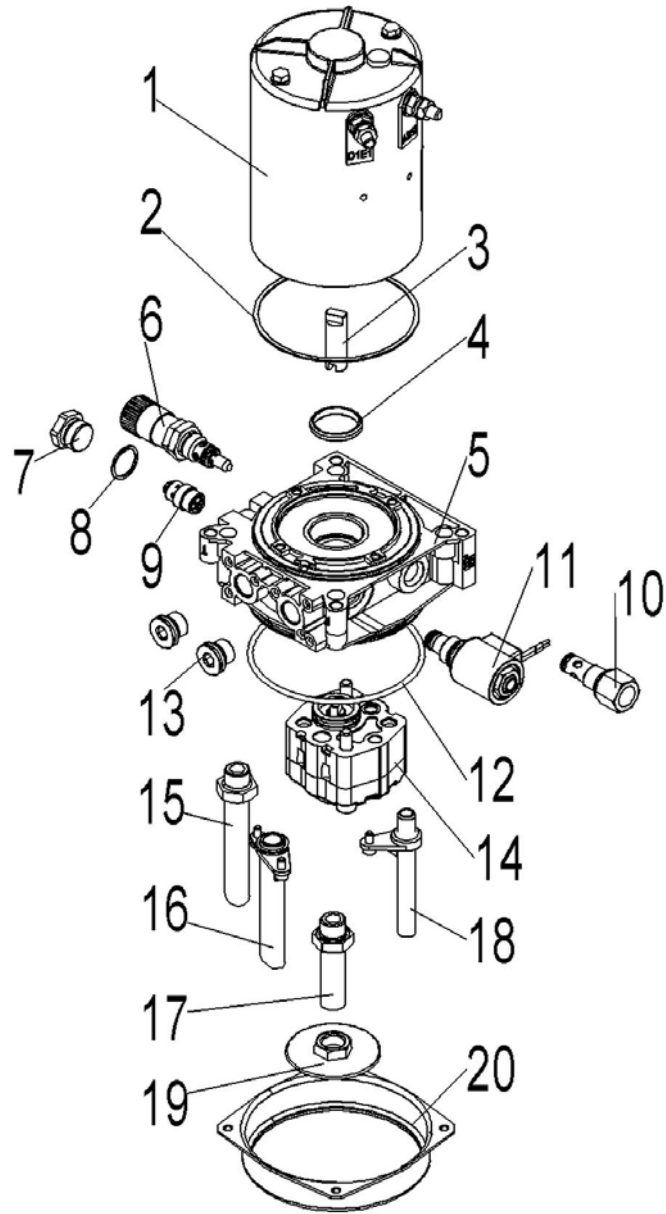


**Fig.22 PT 20D Cylinder Assembly (rear2500)**

No.	Art No.	Description	Qty.	Note
1	9000018409	Barrel	1	
2	9000009358	Cylinder cover	1	
3	9000009927	Support ring 40X44X10	1	
4	9000009926	Dust ring 40X48X5/6.5		
5	9000018410	Lever	1	
6	0000022014	O rubber seal ring 25x3.1	2	
7	9000009361	Piston	1	
8	0000022013	O rubber seal ring 45x3.1	1	
9	9000015661	Support ring 40X45X10	1	
10	9000017912	Y ring 35X45X6/7	1	
11	0000024074	I nut M20x1.5	1	
12	0000025033	Washer 20	1	
13	9000009953	Cylinder seal kits	1	



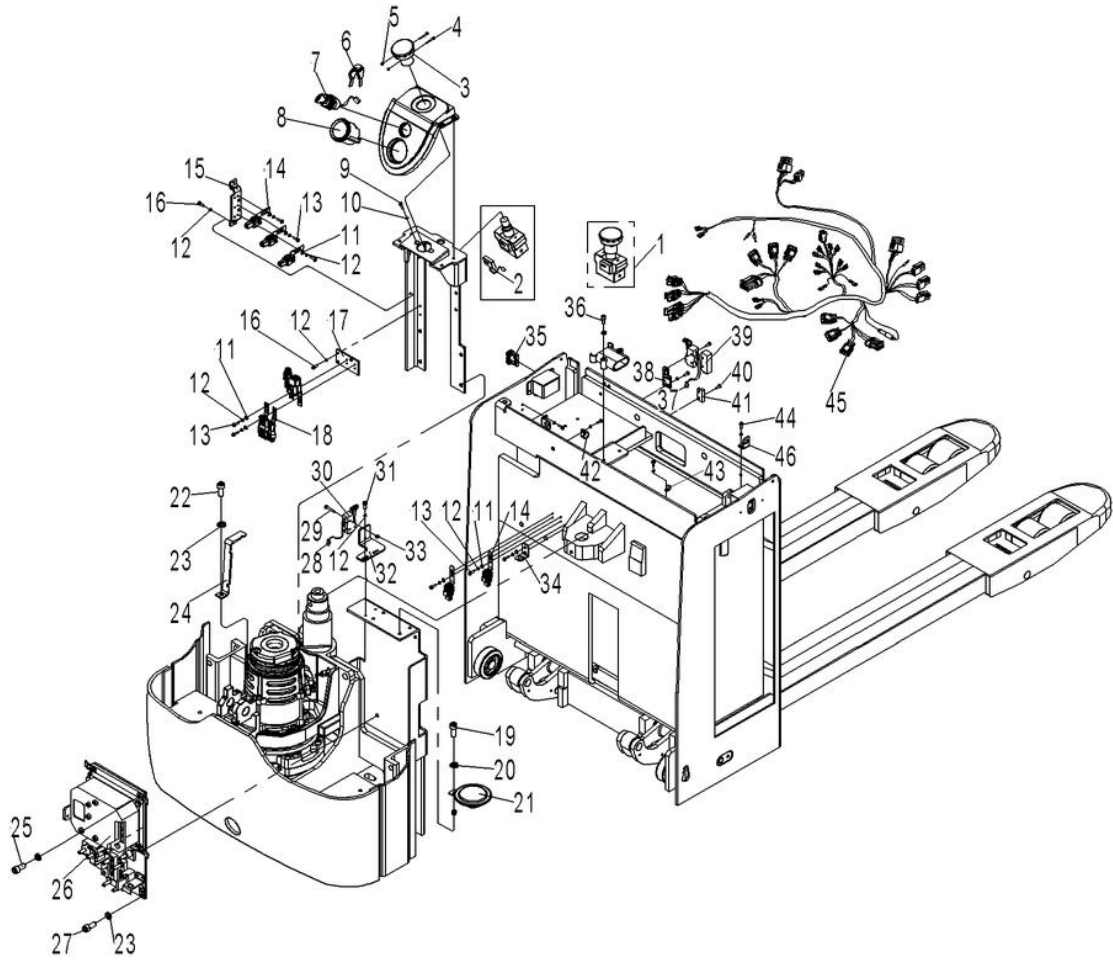
Fig.23 Pump 2.2KW



**Fig.23 Pump 2.2KW**

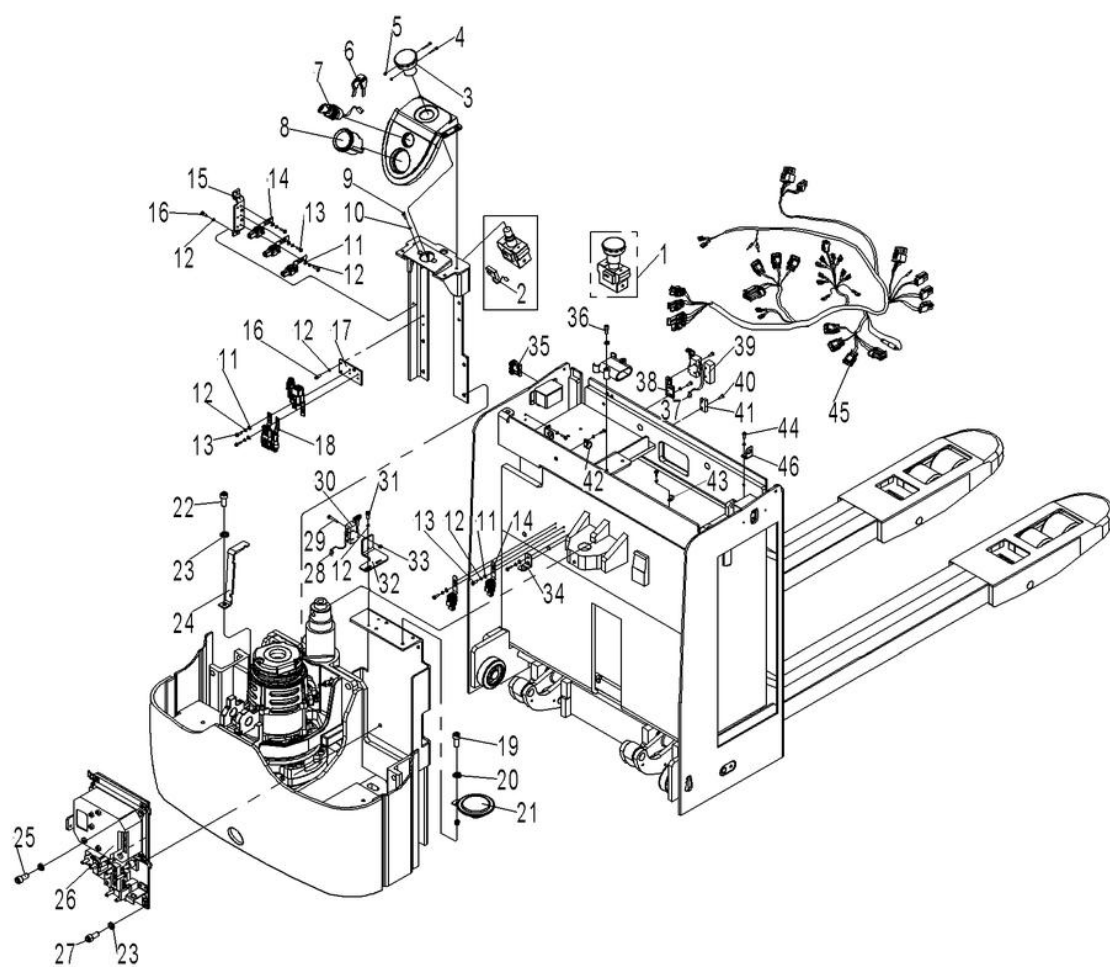
No.	Art No.	Description	Qty.	Note
1	9000010900	Motor	1	24V 2.2KW
2	9000012024	Paper pad	1	
3	9000010901	Coupler	1	
4	9000012025	Circlip (yellow)	4	
5	2000300002	Valve block	1	G3/8
6	2040315003	Overflow valve	1	>150BAR
7	2000323003	MC tiller plug	1	
8	9000017833	Tiller plug washer	1	
9	9000012018	Throttle valve		G3/8 6.3L/min F6
10	9000010903	Check valve	1	P1
11	9000010904	Electromagnetic valve	1	24V DL
12	9000010908	Seal ring	1	110.72*3.53
13	9000010906	Screw plug	2	G3/8
14	9000017834	Gear pump	1	
15	9000017835	Oil return hose	1	
16	9000017836	T oil return hose	1	
17	9000010910	Oil suction hose	1	
18	9000008872	Overflow valve oil return hose	1	
19	9000010911	Oil suction filter D63	1	D63
20	9000017837	Connecting flange	1	

Fig.24 PT 20I Electrical assembly



**Fig.24 PT20I Electrical Assembly**

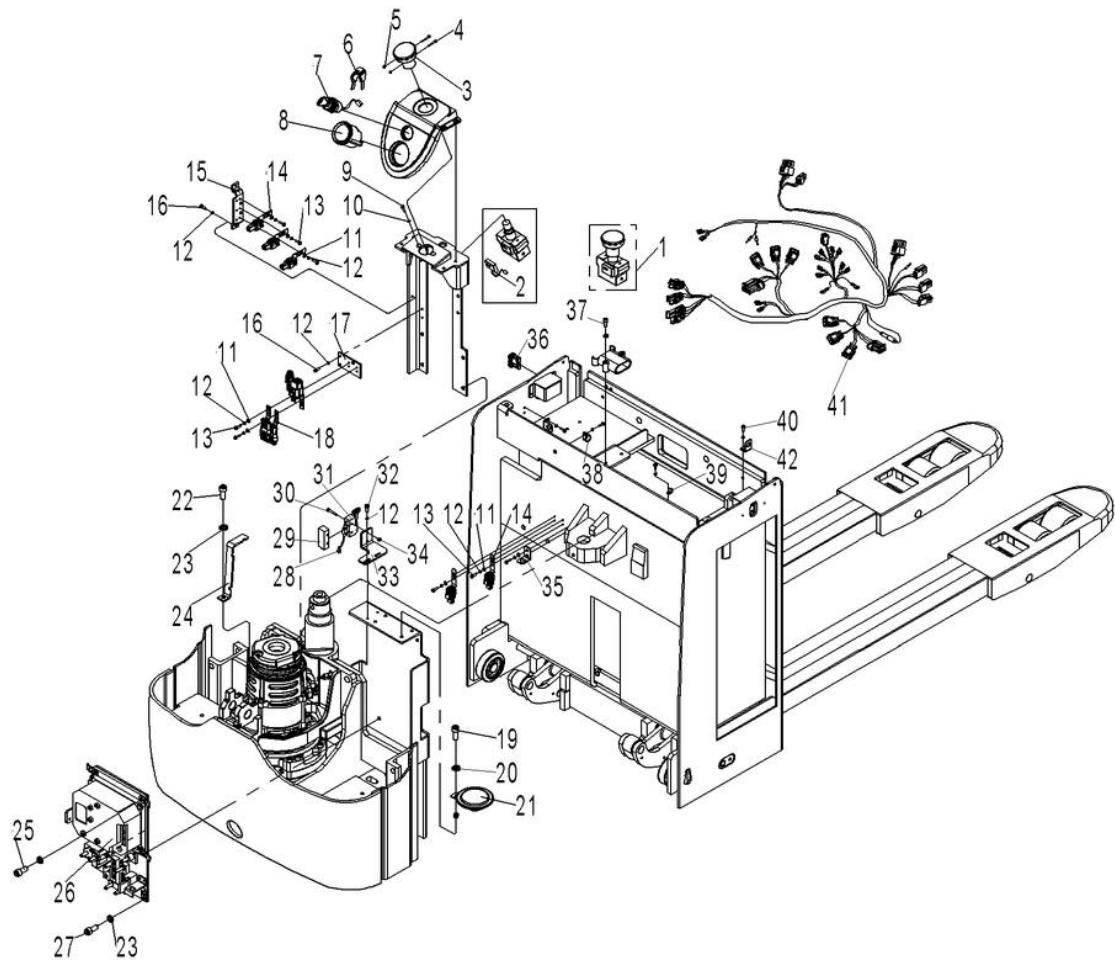
No.	Art No.	Description	Qty.	Note
1	9000008515	DC power switch	1	ZDK32-350
2	9000008517	DC power switch ZDK32-350 micro switch	1	
3	9000008516	DC power switch	1	ZDK32-350
4	0000023685	Screw	2	M3×25
5	0000024002	I nut	2	M3
6	9000008519	Key switch	1	LKS-101A key
7	9000008326	Key switch	1	LKS-101A
8	1000434025	Indicator	1	CURTIS 803
9	0000023107	Screw	2	M5×16
10	0000025015	Washer	2	5
11	0000025019	Flat washer	3	4
12	0000025018	Washer	10	4
13	0000023016	Screw	6	M4×12
14	1000204002	AMP connector seat	5	
15	9000010711	Flexing plate	1	
16	0000023056	Screw	4	M4x12
17	9000010712	Transition plate	1	
18	9000007981	Connector seat	3	
19	0000023020	Screw	2	M6×20
20	0000025006	Washer	3	6
21	1000434015	Horn	1	DC24V
22	0000023067	Screw	1	M8×16
23	0000025001	Washer	5	8
24	9000010714	Cable seat	1	
25	0000023172	Screw	2	M8×30
26	9000010644	Electronic control components	1	
27	0000023047	Screw	2	M8×25
28	9000010636	Limit control wiring harness	1	
29	0000023041	Screw	2	M4×30
30	9000000794	Micro switch	1	RZ-15GW2S-B3
31	0000023059	Screw	2	M4×8



**Fig.24 PT20I Electrical Assembly**

No.	Art No.	Description	Qty.	Note
32	9000017832	Mounting plate(limit)	1	
33	0000024004	Nut	2	M4
34	1010404005	Connector fixing frame 2 pins	1	
35	9000002376	Rocker switch 3203-00092-OV	2	
36	0000023106	Screw	2	M6×30
37	9000017648	Limit control wiring harness 2	1	
38	9000017827	Mounting plate (limit)	1	
39	2040603002	Micro switch protective cover	1	
40	0000023216	Screw	2	M3x8
41	9000008332	Magnetic switch HWK23	1	
42	9000009789	Cable fixing part UC-3	1	
43	9000005742	Cable fixing part UC-1	2	
44	0000023071	Screw	6	M4x8
45	9000017647	Main control wiring harness (COMBIACX+210AH)	1	
46	1020418001	Connector fixing frame 4 pins	2	

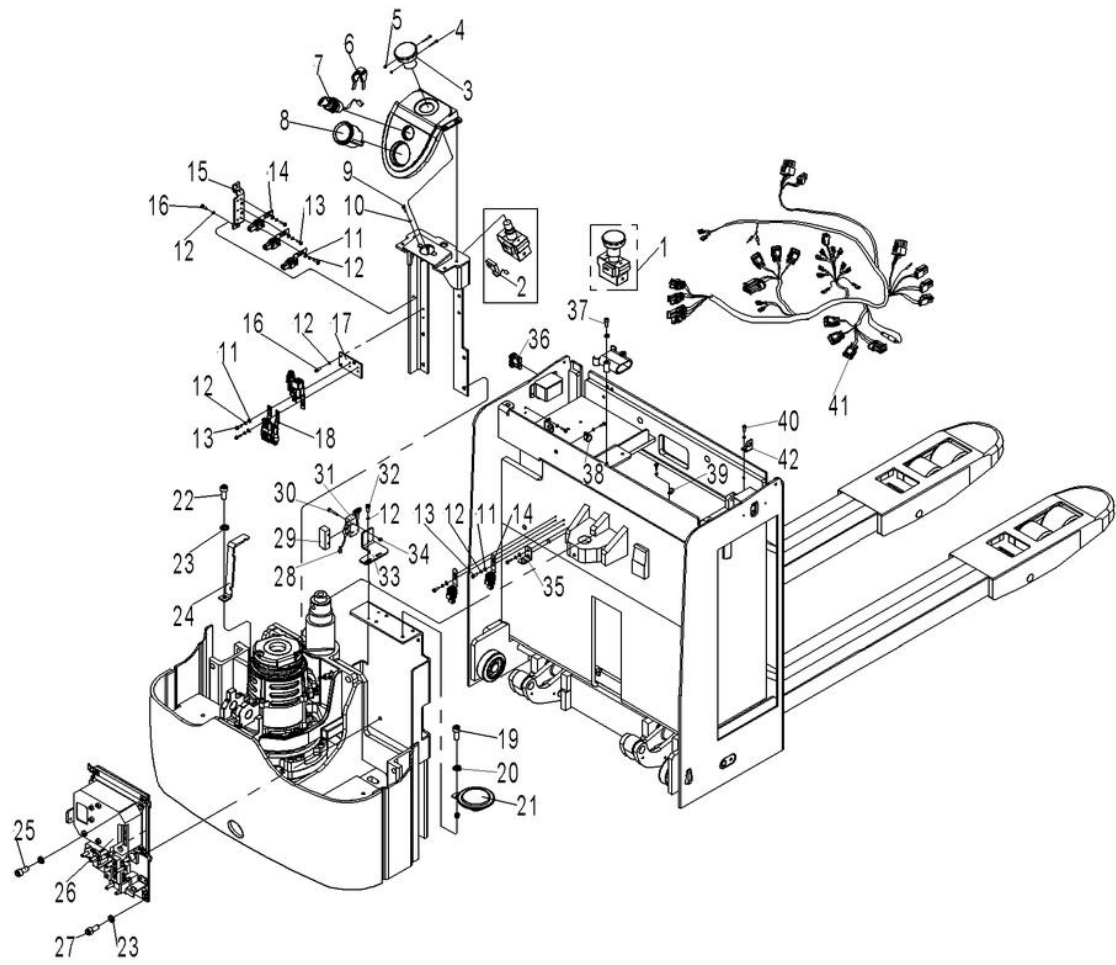
Fig.25 PT 20D Electrical assembly (1600/2000)



**Fig.25 PT20D Electrical Assembly (1600/2000)**

No.	Art No.	Description	Qty.	Note
1	9000008515	DC power switch	1	ZDK32-350
2	9000008517	DC power switch ZDK32-350 micro switch	1	
3	9000008516	DC power switch	1	ZDK32-350
4	0000023685	Screw	2	M3×25
5	0000024002	I nut	2	M3
6	9000008519	Key switch	1	LKS-101A key
7	9000008326	Key switch	1	LKS-101A
8	1000434025	Indicator	1	CURTIS 803
9	0000023107	Screw	2	M5×16
10	0000025015	Washer	2	5
11	0000025019	Flat washer	3	4
12	0000025018	Washer	10	4
13	0000023016	Screw	6	M4×12
14	1000204002	AMP two pins connector seat	5	
15	9000010711	Connector flexing plate	1	
16	0000023056	Screw	4	M4x12
17	9000010712	Transition plate	1	
18	9000007981	Connector seat	3	
19	0000023020	Screw	2	M6×20
20	0000025006	Washer	3	6
21	1000434015	Horn	1	DC24V
22	0000023067	Screw	1	M8×16
23	0000025001	Washer	5	8
24	9000010714	Cable seat	1	
25	0000023172	Screw	2	M8×30
26	9000010644	Electronic control components	1	
27	0000023047	Screw	2	M8×25
28	9000010636	Limit control wiring harness	1	
29	2040603002	Micro switch protective cover	1	
30	0000023041	Screw	2	M4×30
31	9000000794	Micro switch	1	RZ-15GW2S-B3

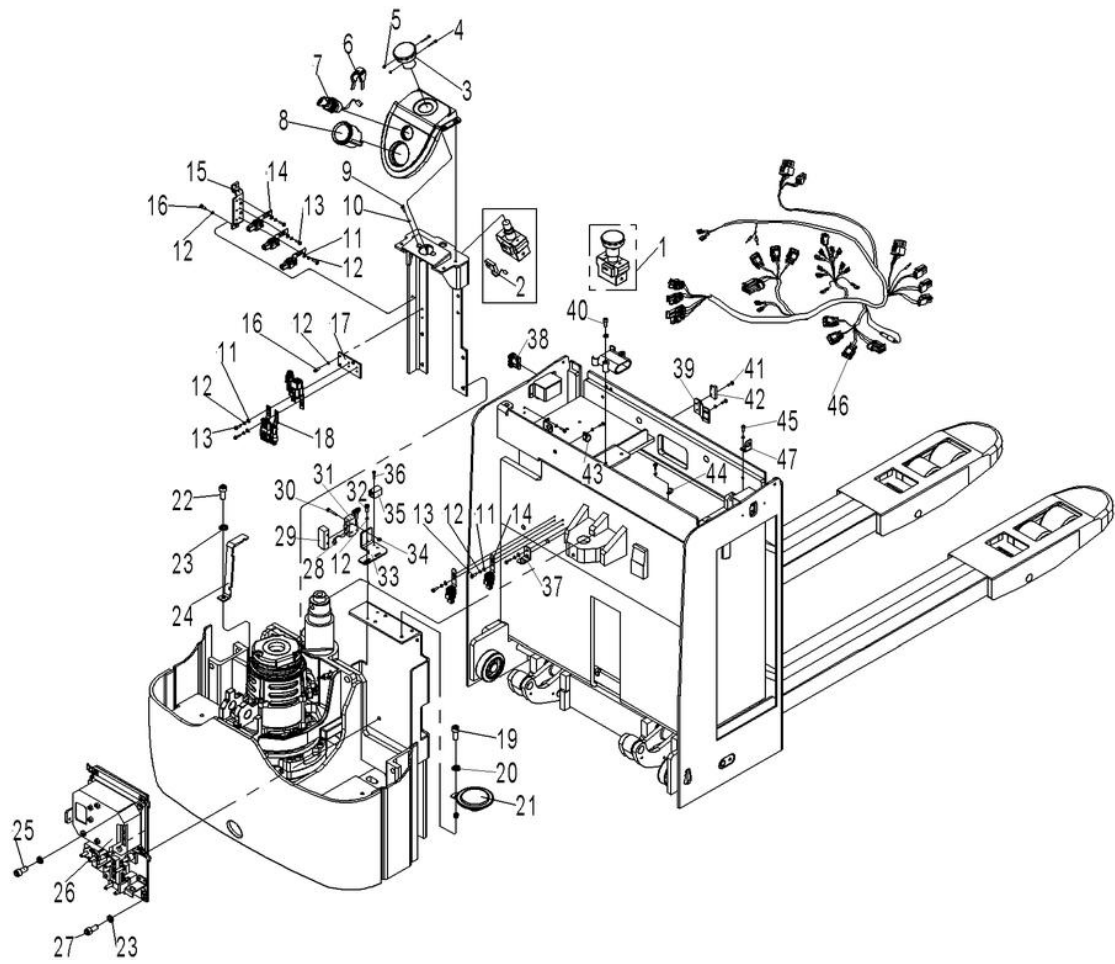




**Fig.25 PT20D Electrical Assembly (1600/2000)**

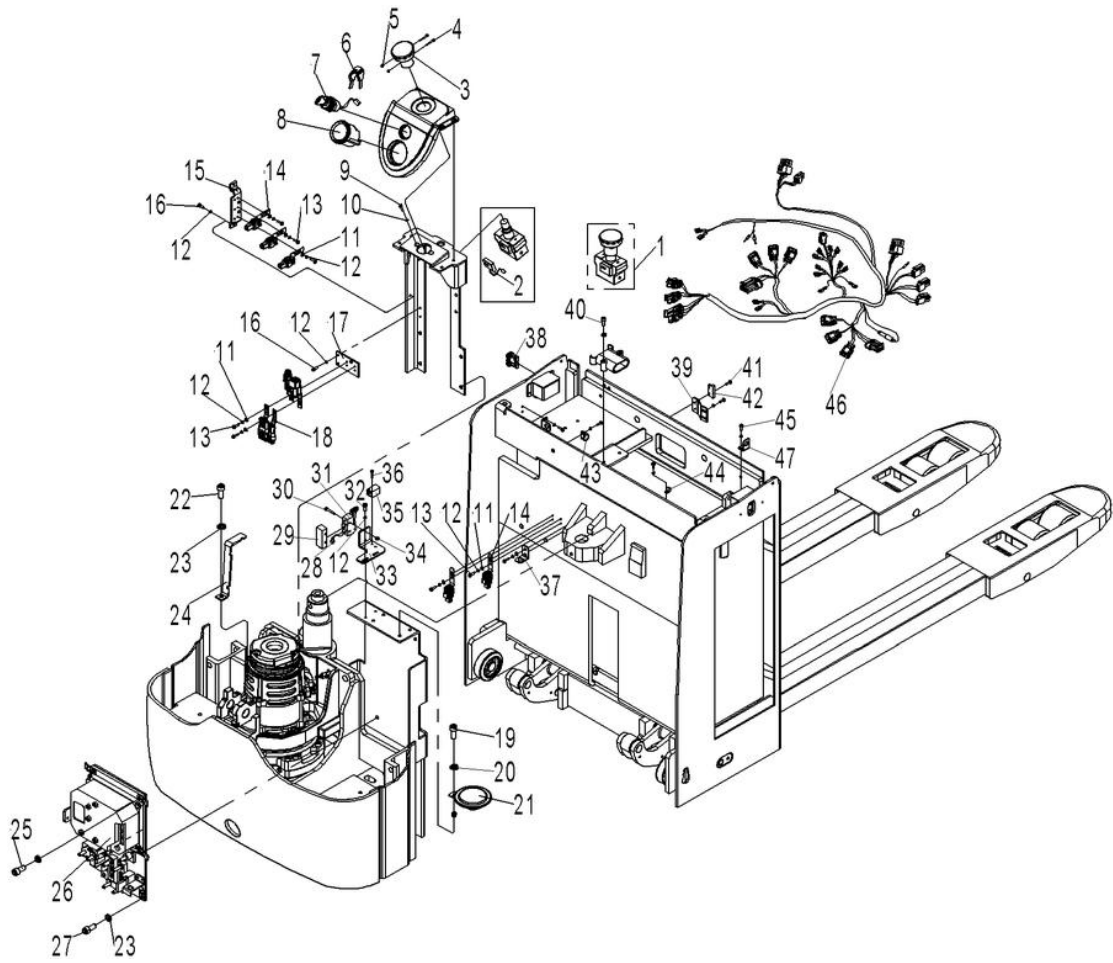
No.	Art No.	Description	Qty.	Note
32	0000023059	Screw	2	M4×8
33	9000017832	Mounting plate(limit)	1	
34	0000024004	Lock nut	2	M4
35	1010404005	Connector fixing frame 2 pins	1	
36	9000002376	Rocker switch 3203-00092-OV	2	
37	0000023106	Screw	2	M6×30
38	9000009789	Cable fixing part UC-3	1	
39	9000005742	Cable fixing part UC-1	2	
40	0000023071	Screw	6	M4x8
41	9000017647	Main control wiring harness	1	COMBIACX+210AH
42	1020418001	Connector fixing frame 4 pins	2	

Fig.26 PT 20D Electrical assembly (2500)



**Fig.26 PT20D Electrical Assembly (2500)**

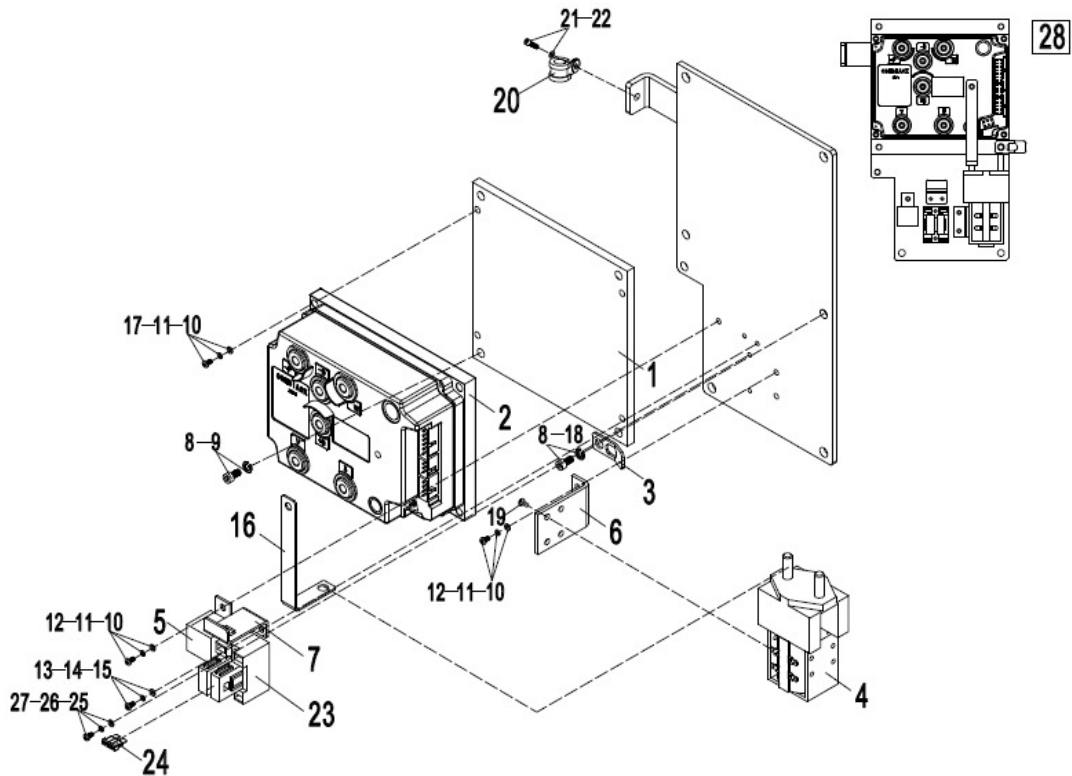
No.	Art No.	Description	Qty	Note
1	9000008515	DC power switch	1	ZDK32-350
2	9000008517	DC power switch ZDK32-350 micro switch	1	
3	9000008516	DC power switch	1	ZDK32-350
4	0000023685	Screw	2	M3×25
5	0000024002	I nut	2	M3
6	9000008519	Key switch	1	LKS-101A key
7	9000008326	Key switch	1	LKS-101A
8	1000434025	Indicator	1	CURTIS 803
9	0000023107	Screw	2	M5×16
10	0000025015	Washer	2	5
11	0000025019	Flat washer	3	4
12	0000025018	Washer	10	4
13	0000023016	Screw	6	M4×12
14	1000204002	AMP two pins connector seat	5	
15	9000010711	Connector flexing plate	1	
16	0000023056	Screw	4	M4x12
17	9000010712	Transition plate	1	
18	9000007981	Connector seat	3	
19	0000023020	Screw	2	M6×20
20	0000025006	Washer	3	6
21	1000434015	Horn	1	DC24V
22	0000023067	Screw	1	M8×16
23	0000025001	Washer	5	8
24	9000010714	Cable seat	1	
25	0000023172	Screw	2	M8×30
26	9000010644	Electronic control components	1	
27	0000023047	Screw	2	M8×25
28	9000010636	Limit control wiring harness	1	
29	2040603002	Micro switch protective cover	1	
30	0000023041	Screw	2	M4×30
31	9000000794	Micro switch	1	RZ-15GW2S-B3



**Fig.26 PT20D Electrical Assembly (2500)**

No.	Art No.	Description	Qty.	Note
32	0000023059	Screw	2	M4×8
33	9000017832	Mounting plate(limit)	1	
34	0000024004	Nut	2	M4
35	9000002319	Proximity switch	1	NBN5-F7-E2
36	0000023075	Screw	2	M3×20
37	1010404005	Connector fixing frame 2 pins	1	
38	9000002376	Rocker switch 3203-00092-OV	2	
39	9000018411	Fixed plate (magnetic switch)	1	
40	0000023106	Screw	2	M6×30
41	0000023216	Screw	2	M3x8
42	9000008332	Magnetic switch HWK23	1	
43	9000009789	Cable fixing part UC-3	1	
44	9000005742	Cable fixing part UC-1	2	
45	0000023071	Screw	6	M4x8
46	9000018264	Main control wiring harness	1	
47	1020418001	Connector fixing frame 4 pins	2	

**Fig.27 Electronic control components**



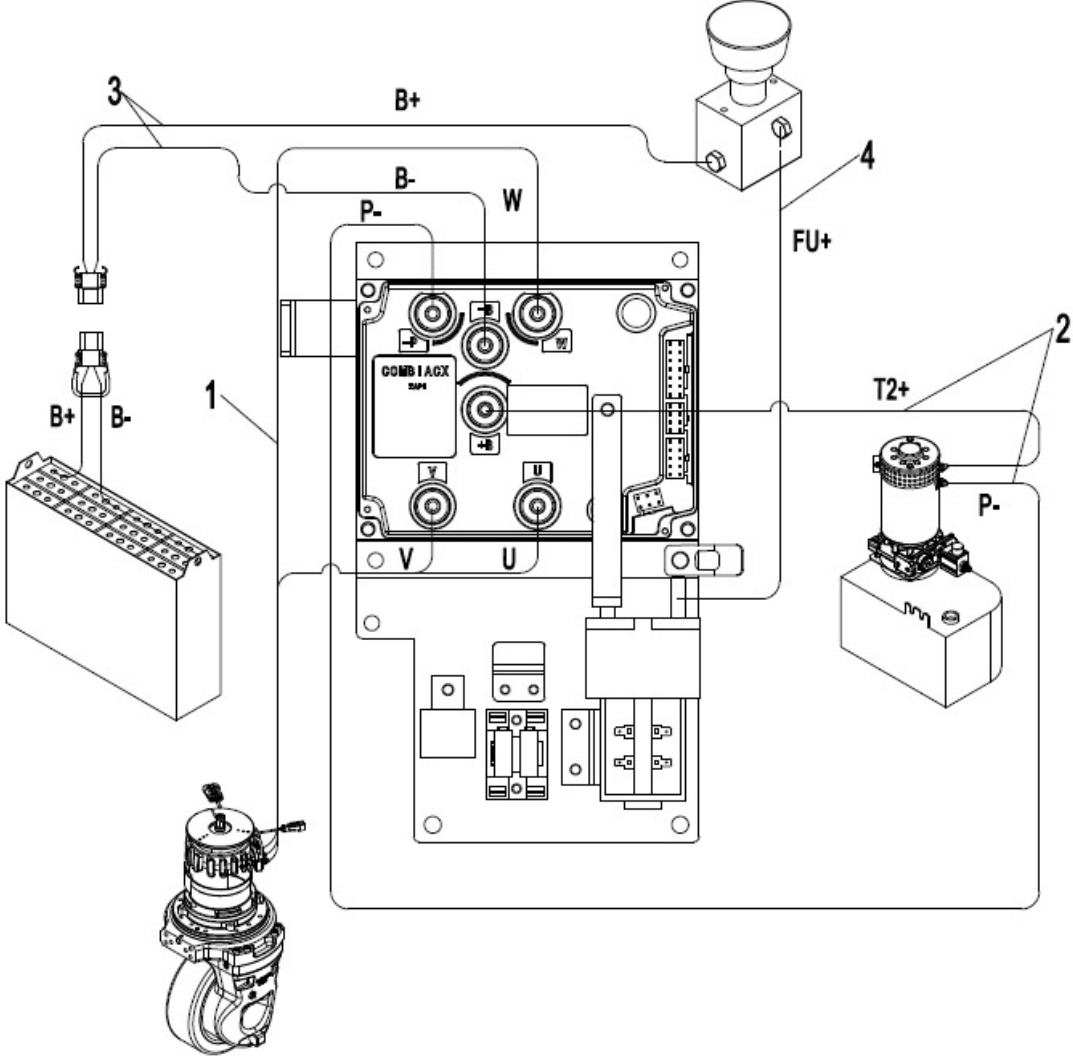
**Fig.27 Electronic Control Components**

No.	Art No.	Description	Qty.	Note
1	9000010659	Aluminium plate	1	
2	9000016047	Controller	1	COMBIACX 24/240
3	9000009791	Cable hanging plate	3	
4	2390434003	Contactor	1	SW180B-4 DC24V
5	1000434041	Relay	1	ACR01F-F-1AD
6	9000017658	Main contactor mounting frame	1	
7	9000007679	Programmer plug fixing frame	1	
8	0000025004	Washer	2	8
9	0000023013	Screw	1	M8x16
10	0000023516	Screw	1	M5x10
11	0000025015	Washer	5	5
12	0000025014	Flat washer	5	5

13	0000025018	Washer	10	4
14	0000025019	Flat washer	10	4
15	0000023307	Screw	6	M4x10
16	9000017657	Copper bar	1	
17	0000023673	Screw	4	M5x16
18	0000023166	Screw	1	M8x20
19	90000395	Screw	2	M5x8
20	9000008325	YGE clip	1	
21	0000023040	Screw	1	M6x16
22	0000023055	Flat washer	1	6
23	9000008586	Fuse seat	1	BD-2X10A-1
24	1000434040	Fuse 10A	2	
25	0000025018	Washer 4	6	4
26	0000025019	Flat washer 4	6	4
27	0000023019	Screw	2	M4x30
28	9000017656	Electronic control components (COMBIACX+210AH)	1	



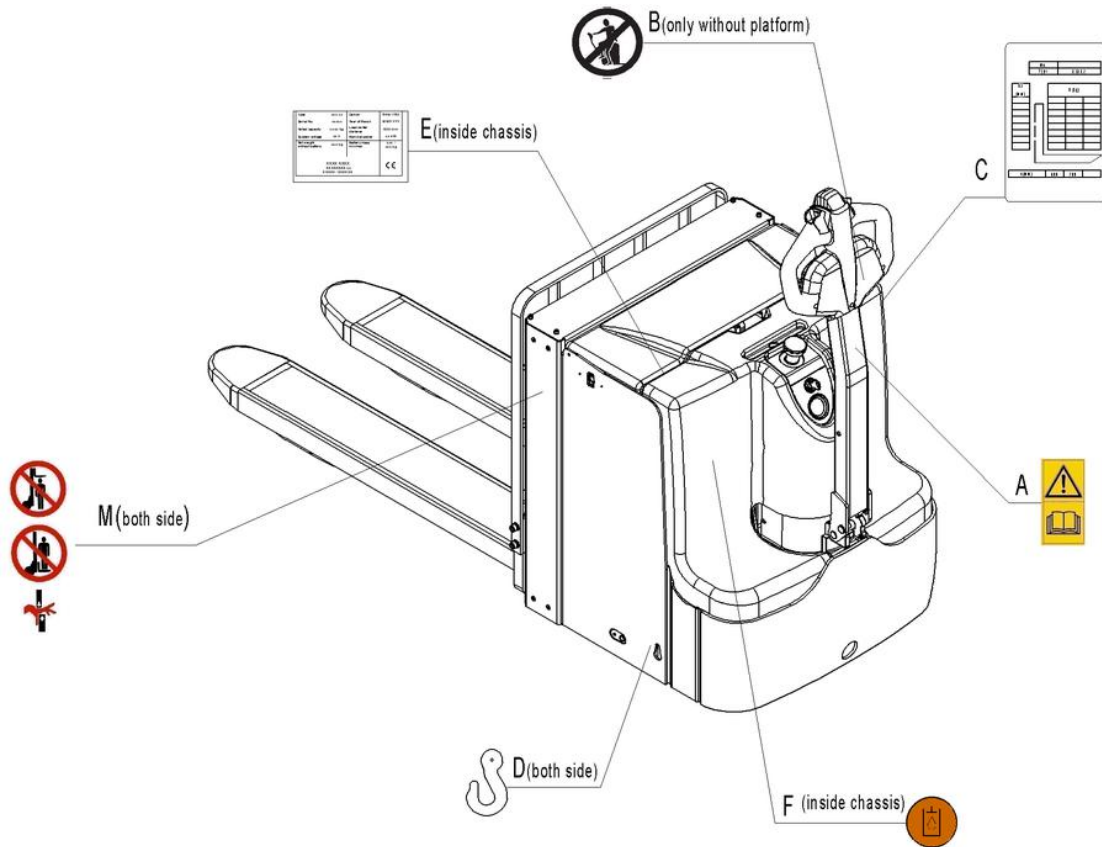
Fig.28 Main wiring harness



**Fig.28 Main Wiring Harness**

No.	Art No.	Description	Qty.	Note
1	9000017653	Cable-P--10-6-8-1000	1	
2	9000017652	Cable -T2+-10-6-8-1080	1	
3	9000017654	Main power supply wiring harness (COMBIACX+210AH)	1	
4	9000017655	Cable -FU+-25-8-8-810	1	
5	9000017651	Cable -W-16-6-6-360	1	
6	9000017649	Cable -U-16-6-6-730	1	
7	9000017650	Cable -V-16-6-6-780	1	

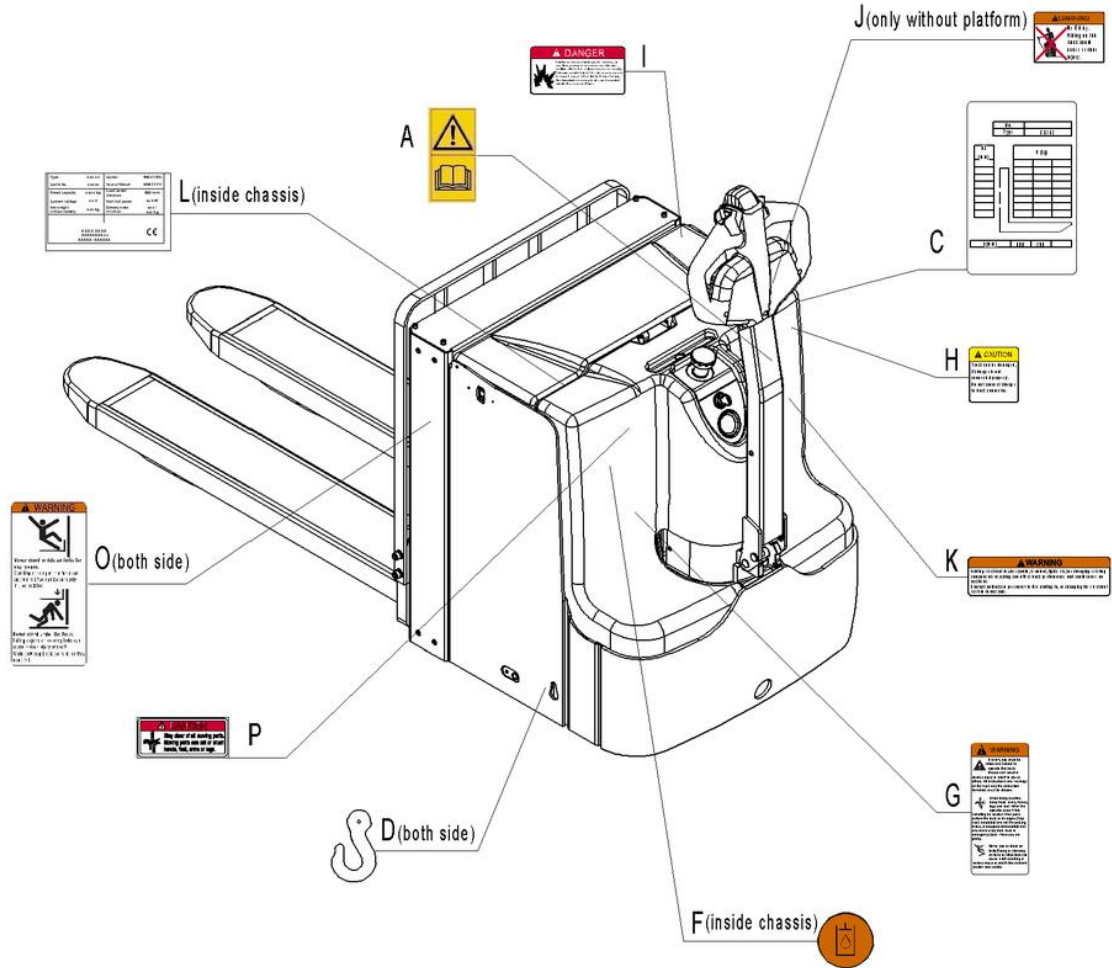
Fig.29 PT 20I stickers (EU)



**Fig.29 PT 20I Sticker (EU)**

No.	Art No.	Description	Qty.	Note
A	9000003570	Warning sticker	1	
B	9000003573	'No passengers' decal	1	
C	9000017849	Residual lift capacity sticker	1	
D	9000005967	Crane hook label	2	
E	9000017850	CE sticker	1	
F	9000008555	Filling sticker	1	
M	9000003923	Warning decal: Do not step under or on the forks	1	

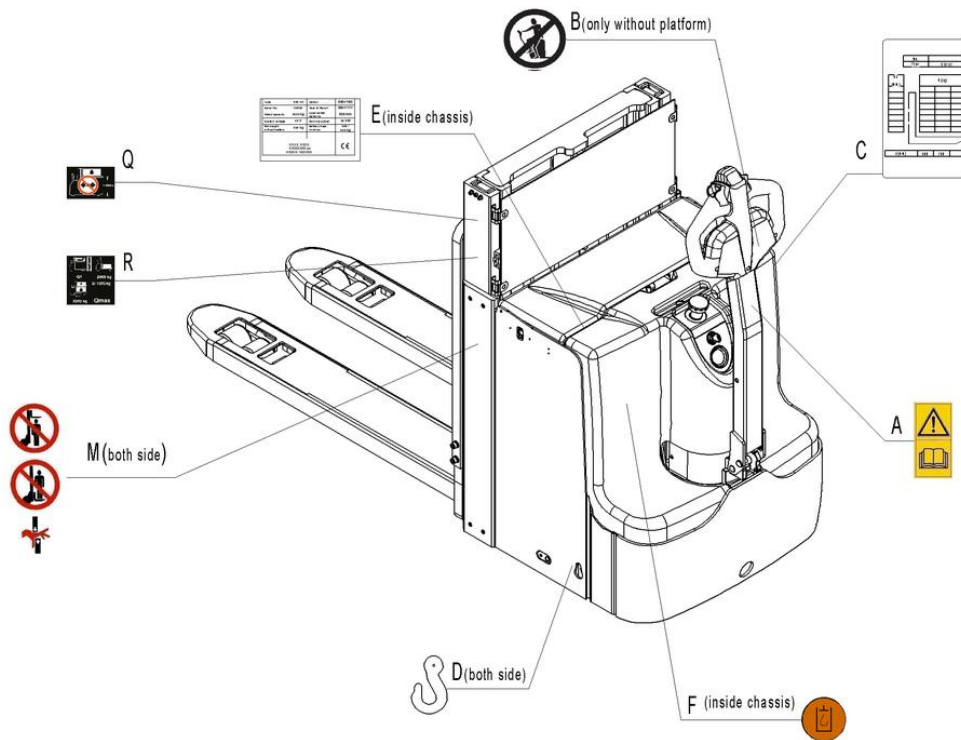
Fig.30 PT 20I stickers (US)



**Fig.30 PT 20I Sticker (US)**

No.	Art No.	Description	Qty.	Note
A	9000003570	Sticker to read and follow these instructions	1	
C	9000017849	Residual lift capacity sticker	1	
D	9000005967	Crane hook label	2	
F	9000008555	Filling sticker	1	
G	9000003575	Warning label	1	
H	9000003576	Warning label	1	
I	9000003577	Warning label	1	
J	9000003580	Warning label	1	
K	9000003579	Warning label	1	
L	9000017850	CE sticker	1	
O	9000005971	Warning label	1	
P	9000005970	Warning label	1	

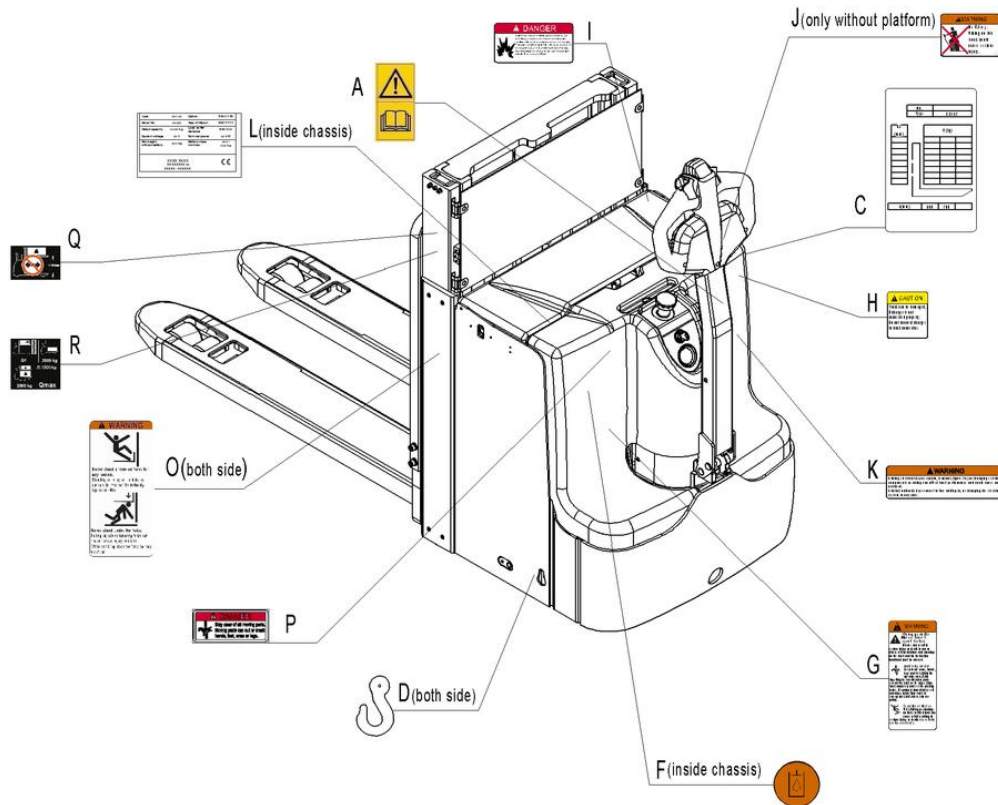
**Fig.31 PT 20D stickers (EU)**



**Fig.31 PT 20D Sticker (EU)**

No.	Art No.	Description	Qty.	Note
A	900003570	Sticker to read and follow these instructions	1	
B	900003573	'No passengers' decal	1	
C	9000017849	Residual lift capacity sticker	1	
D	900005967	Crane hook label	2	
E	9000017850	CE sticker	1	
F	9000008555	Filling sticker	1	
M	9000003923	Warning sticker: Do not step under or on the forks	1	
Q	9000018491	Warning sticker	1	
R	9000018492	Warning sticker	1	

**Fig.32 PT 20D stickers (US)**



**Fig.32 PT 20D Sticker (US)**

No.	Art No.	Description	Qty.	Note
A	9000003570	Sticker to read and follow these instructions	1	
C	9000017849	Residual lift capacity sticker	1	
D	9000005967	Crane hook label	2	
F	9000008555	Filling sticker	1	
G	9000003575	Warning sticker	1	
H	9000003576	Warning sticker	1	
I	9000003577	Warning sticker	1	
J	9000003580	Warning sticker	1	
K	9000003579	Warning sticker	1	
L	9000017850	CE sticker	1	
O	9000005971	Warning sticker	1	
P	9000005970	Warning sticker	1	
Q	9000018491	Warning sticker	1	
R	9000018492	Warning sticker	1	



## Easy Worn Parts

No.	Art No.	Description	Qty.	Fig./Position	Note
1	0000027060	Bearing 6202	12	Fig. 2/4	Chassis
2	0000027005	Bushing 20X22X12	16	Fig. 2/16	
3	1000413001	Bushing 20X23X15	4	Fig. 2/18	
4	0000030001	Grease nipple	8	Fig. 2/22	
5	0000013002	Bushing 20X22X12	4	Fig. 2/28	
6	0000027001	Bearing 6204	4	Fig. 3/5	Load roller
7	0000030001	Grease nipple	2	Fig. 3/6	
8	9000008332	Magnetic switch HWK23	1	Fig. 5/6	Mast
9	0000027011	Bearing 6205	2	Fig. 5/30	
10	9000000794	Micro switch	1	Fig. 5/40	
11	9000000794	Micro switch	1	Fig. 6/10	
12	9000008332	Magnetic switch HWK23	1	Fig. 6/12	
13	0000027011	Bearing 6205	8	Fig. 6/27	Steering wheel
14	0000027002	Bearing 3056205	2	Fig. 14/2	
15	1000413002	Bushing 12×15×15	4	Fig. 14/9	
16	0000027001	Bearing 6204	4	Fig. 14/15	Tiller
17	900000832	9 interlock switch	1	Fig. 15/7	
18	0000013002	Bushing	2	Fig. 15/13	Cylinder (front)
19	9000010180	Dust ring	1	Fig. 19/2	
20	9000010181	Y ring	1	Fig. 19/3	Cylinder (rear)
21	9000009926	Dust ring 40X48X5/6.5	1	Fig. 20/4	
22	9000009927	Support ring 40X44X10	1	Fig. 20/3	
23	0000022014	O rubber seal ring 25x3.1	2	Fig. 20/6	
24	0000022013	O rubber seal ring 45x3.1	1	Fig. 20/8	
25	9000017912	Y ring 35X45X6/7	1	Fig. 20/10	
26	9000009926	Dust ring 40X48X5/6.5	1	Fig. 21/4	
27	9000009927	Support ring 40X44X10	1	Fig. 21/3	
28	0000022014	O rubber seal ring 25x3.1	2	Fig. 21/6	
29	0000022013	O rubber seal ring 45x3.1	1	Fig. 21/8	
30	9000017912	Y ring 35X45X6/7	1	Fig. 21/10	

31	9000009926	Dust ring 40X48X5/6.5	1	Fig. 22/4	
32	9000009927	Support ring 40X44X10	1	Fig. 22/3	
33	0000022014	O rubber seal ring 25x3.1	2	Fig. 22/6	
34	0000022013	O rubber seal ring 45x3.1	1	Fig. 22/8	
35	9000017912	Y ring 35X45X6/7	1	Fig. 22/10	
36	9000000794	Micro switch RZ-15GW2S-B3	1	Fig. 24/30	
37	9000008332	Magnetic switch HWK23	1	Fig. 24/41	
38	9000000794	Micro switch RZ-15GW2S-B3	1	Fig. 25/31	
39	9000000794	Micro switch RZ-15GW2S-B3	1	Fig. 26/31	
40	9000008332	Magnetic switch HWK23	1	Fig. 26/42	